

ARES™

high-security steel fencing

ARES™ High-Security Fencing is made from solid steel I-beams with three styles and up to 142" heights. FortressShield technology seals G90 galvanized steel with an E-coating, followed by an architectural grade powder coating to weather the elements without sacrificing strength. UV inhibitors resist fading and give years of protection without repainting.

**12" ADJUSTABLE
FOR AGGRESSIVE
LANDSCAPES**

**FULLY ASSEMBLED
PANEL FOR FASTER
INSTALLATION**

**DETER, DENY & DELAY
EXCLUSIVE PICKET
THROUGH RAIL DESIGN**

© Global GRAB Technologies, Inc. All rights reserved.

We Exist To Protect.

Global GRAB Headquarters
277 Mallory Station Road
Suite 112
Franklin, TN 37067, USA

24/7 Support
866.504.4722
General Inquiries
877.260.4722



**GLOBAL
GRAB**

ARES™

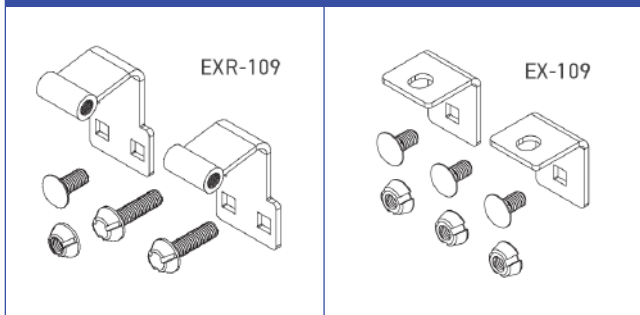
high-security steel fencing



specifications

- + **50,000 psi Steel**
- + Full Assembled Panel for Faster Installation
- + Patented Slide Lock Technology for 700+lbs of Mid-Span Load
- + Adjustable to 12" for Aggressive Landscapes
- + Deter, Deny & Delay Exclusive Picket Through Rail Design
- + Anti-Climb Properties
- + Q345 Steel With **Architectural Grade Powder Coat**
- + UV Inhibitors Reduce Fading Over Time
- + Secondary Layer of **Protection Utilizing E-Coat**
- + Virtually Maintenance-Free
- + Anti-Tamper Brackets
- + Nano-Ceramic Coating
- + Solid Steel I-Beams with Three Styles and up to 142" Heights
- + Rails Designed to Accommodate Data and Communication Cables (IDS)
- + **G90 Galvanization**
- + Patented Slide-Lock Technology

ANTI-TAMPER BRACKETS



COLOR OPTIONS

| | | | |
|----------------------|--|-------------|--|
| Black Sand standard | | Green Sand | |
| Gloss Black optional | | Gloss Green | |