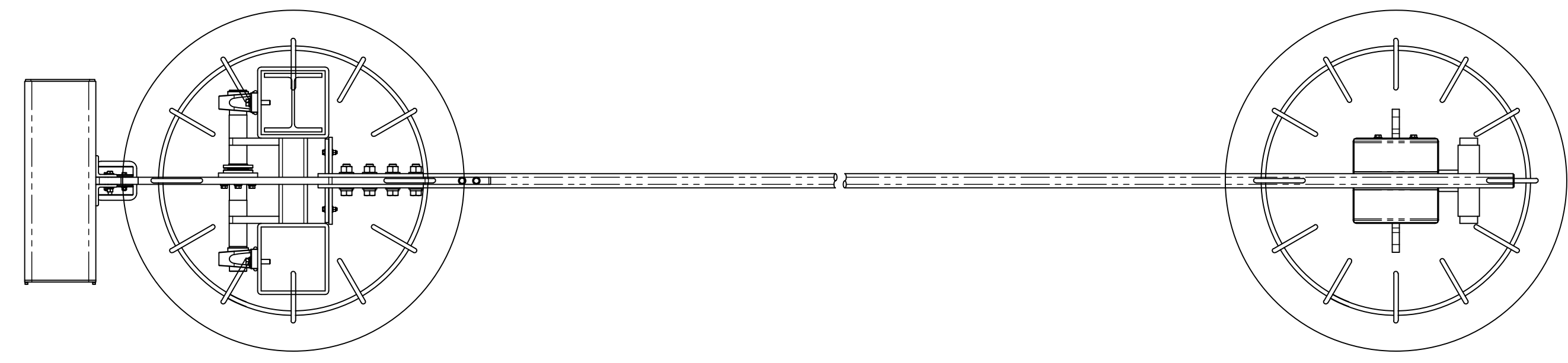
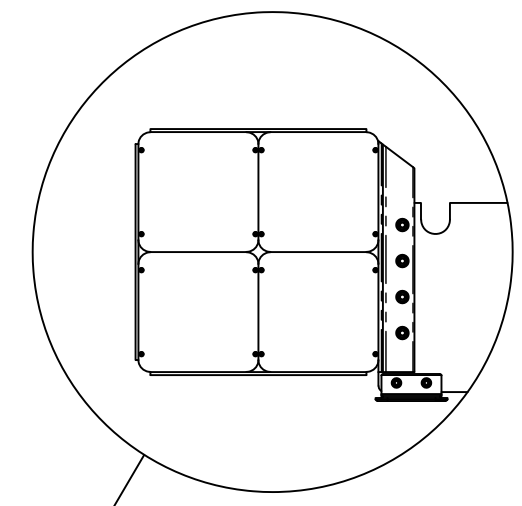
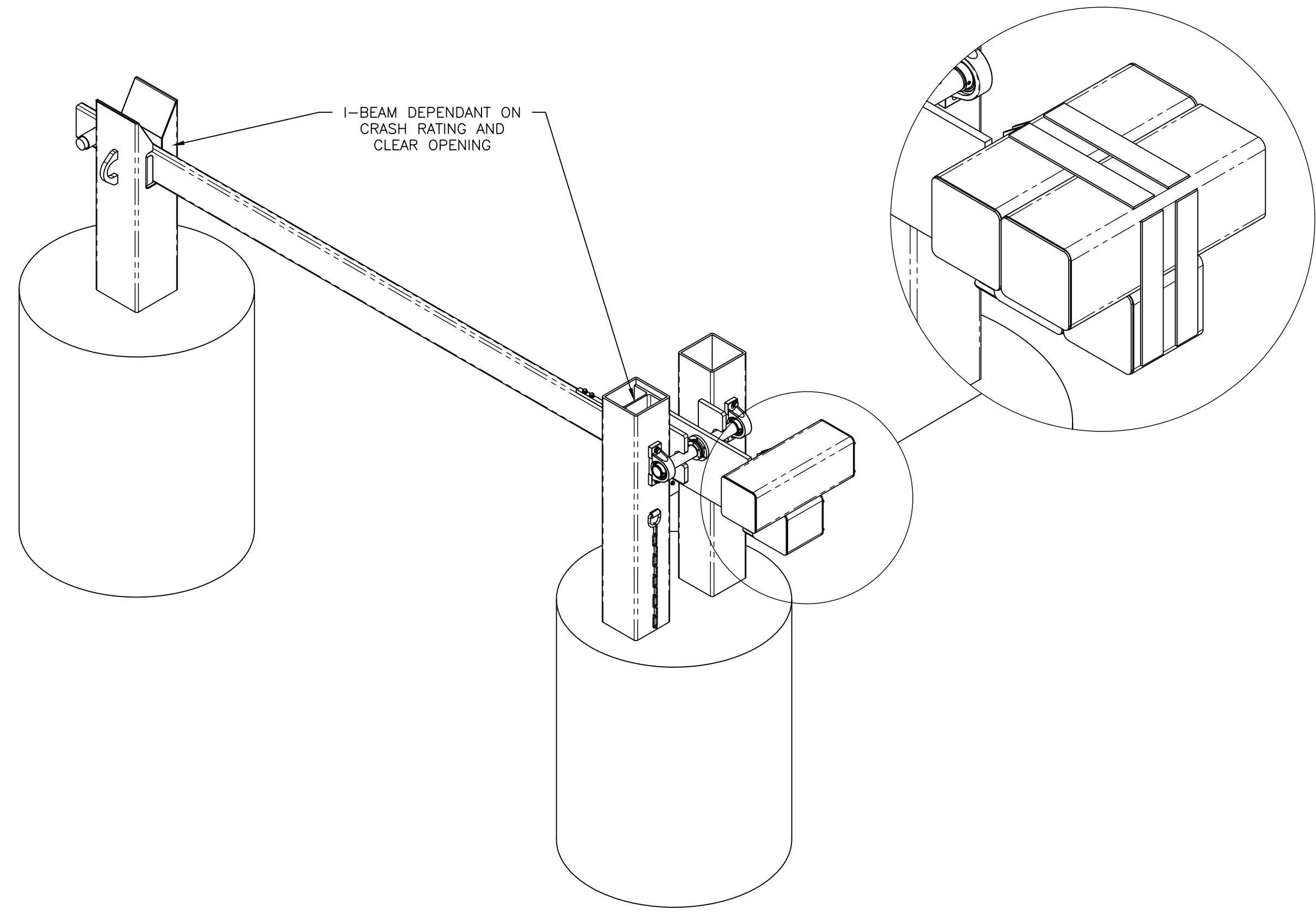


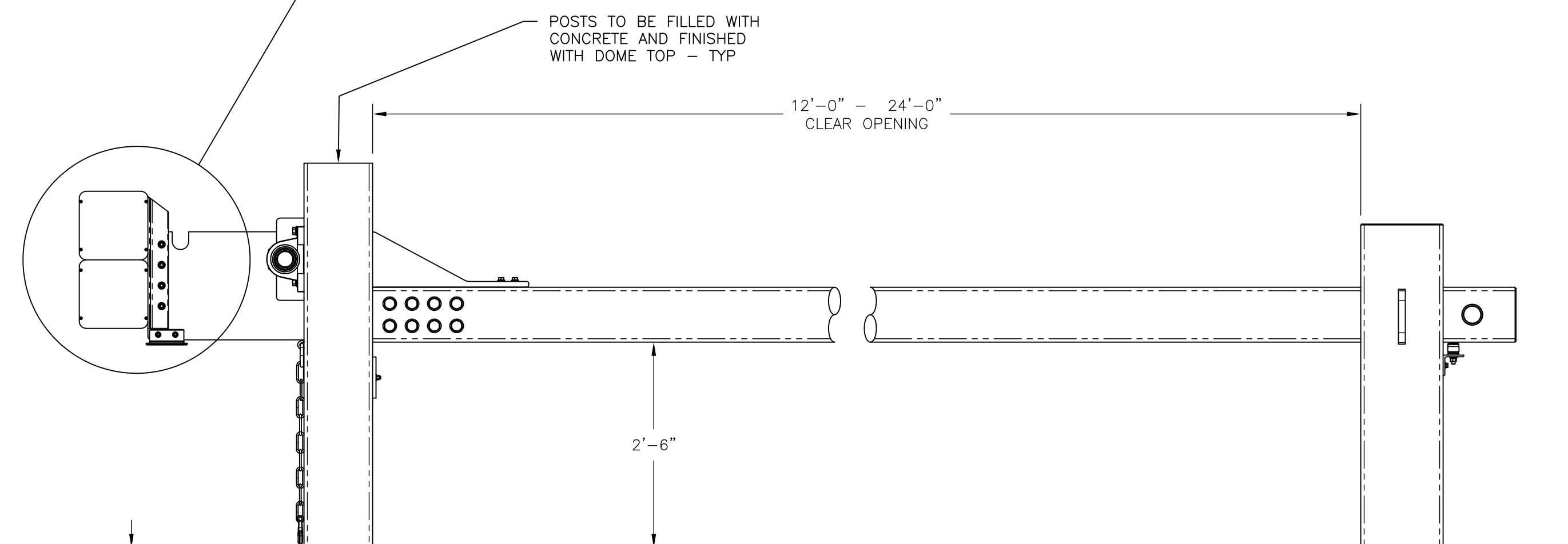
NOTES	
1	CONCRETE AND REBAR SUPPLIED BY INSTALLER.
2	MANUAL CRASH BEAM SHOWN, ELECTRICALLY OPERATED AVAILABLE. ELECTRICAL VERSION TO INCLUDE MAG-LOCK AND PROTECTIVE SHROUD OVER OPERATOR SIDE OF GATE. OPTIONAL SIGNAL LIGHTS, CARD READERS, AND SAFETIES AVAILABLE FOR ELECTRICALLY OPERATED GATES.



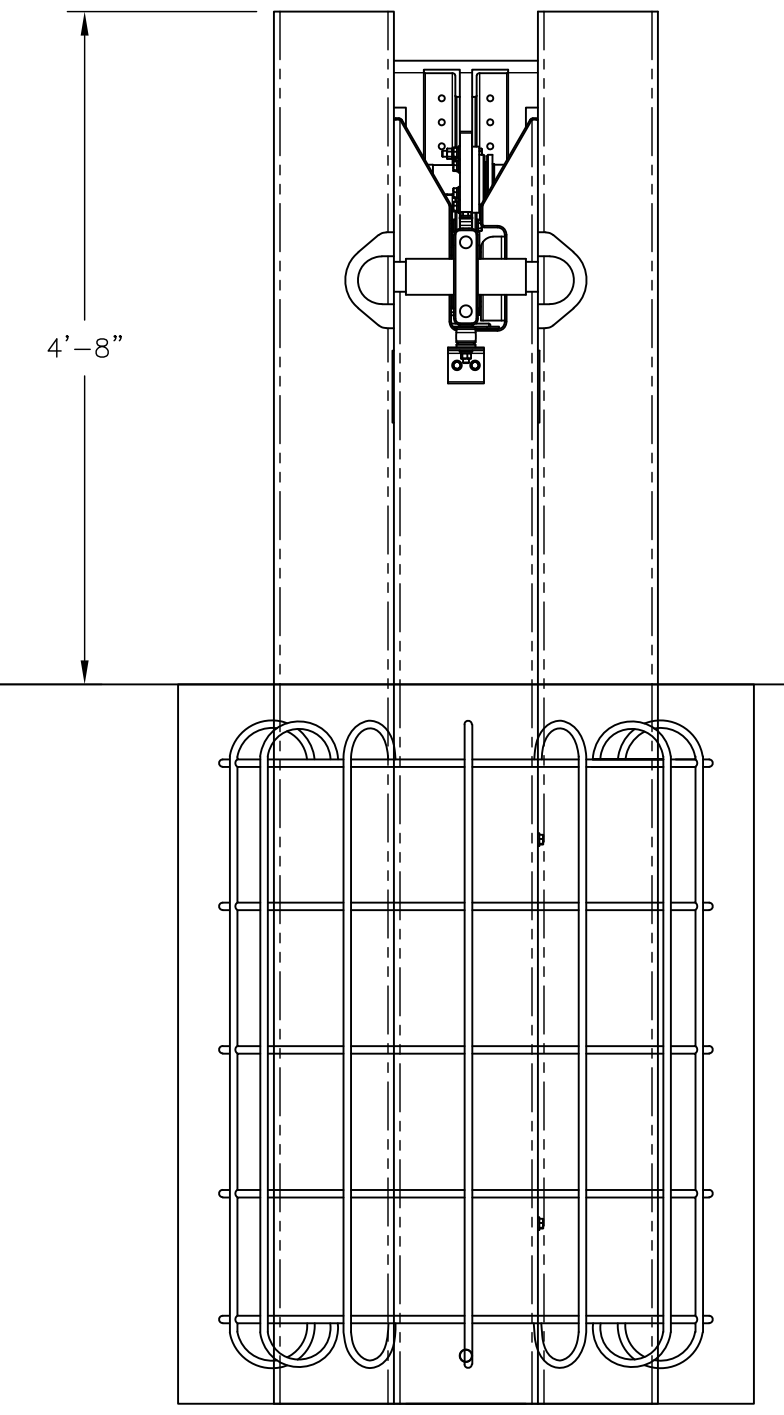
1 PLAN VIEW
SCALE: NTS



DOUBLE WEIGHT FOR GATE ≥ 18

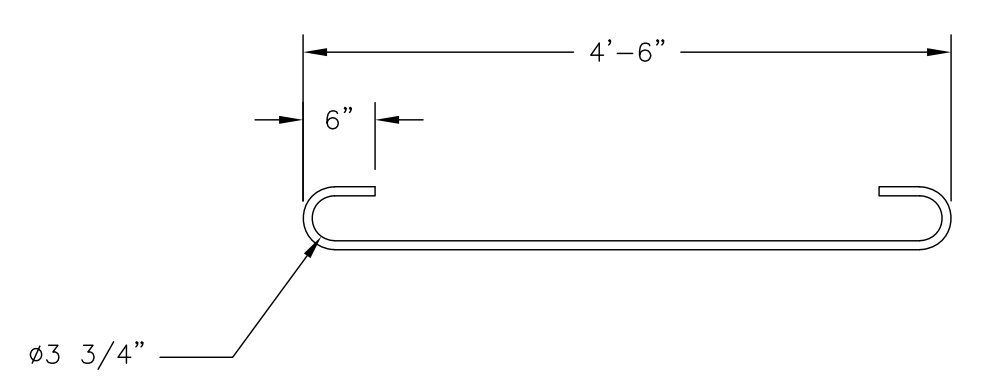


2 ELEVATION VIEW
SCALE: NTS

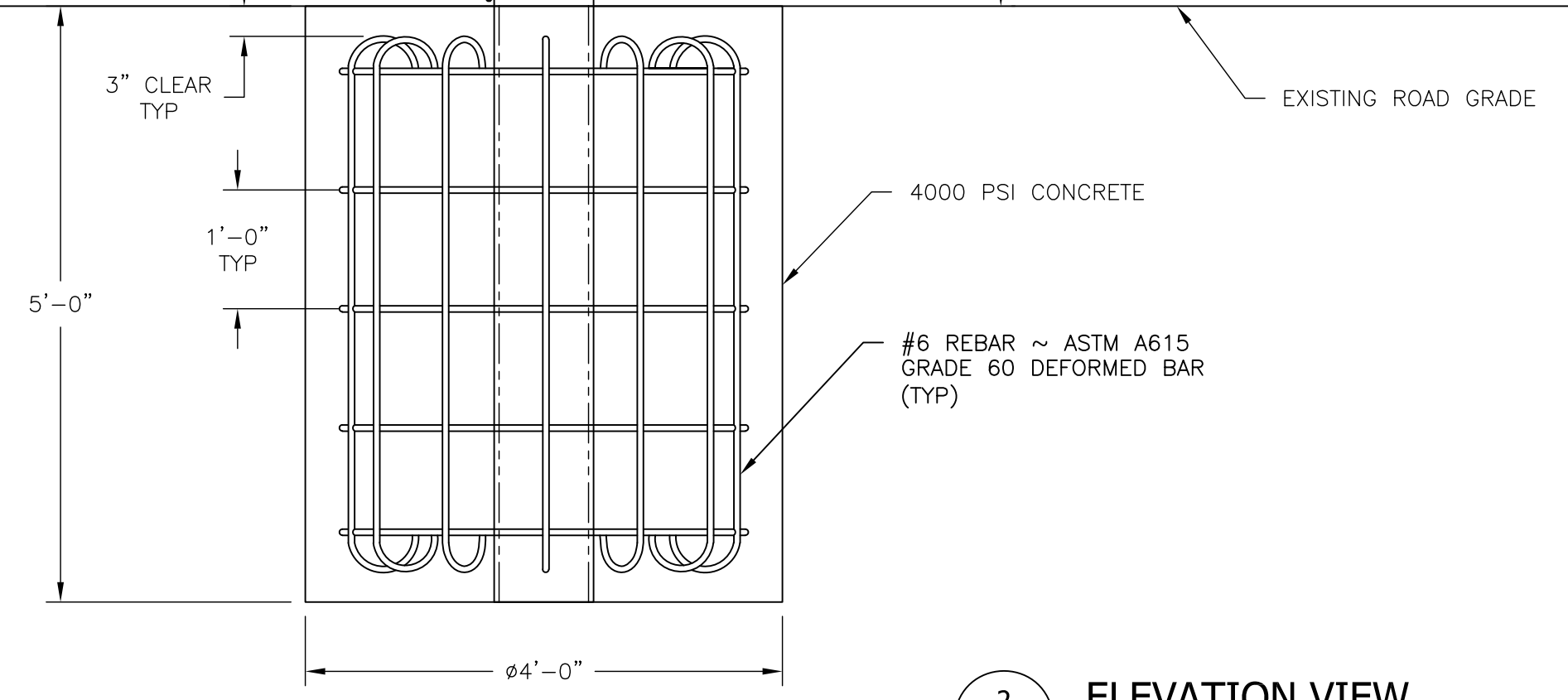
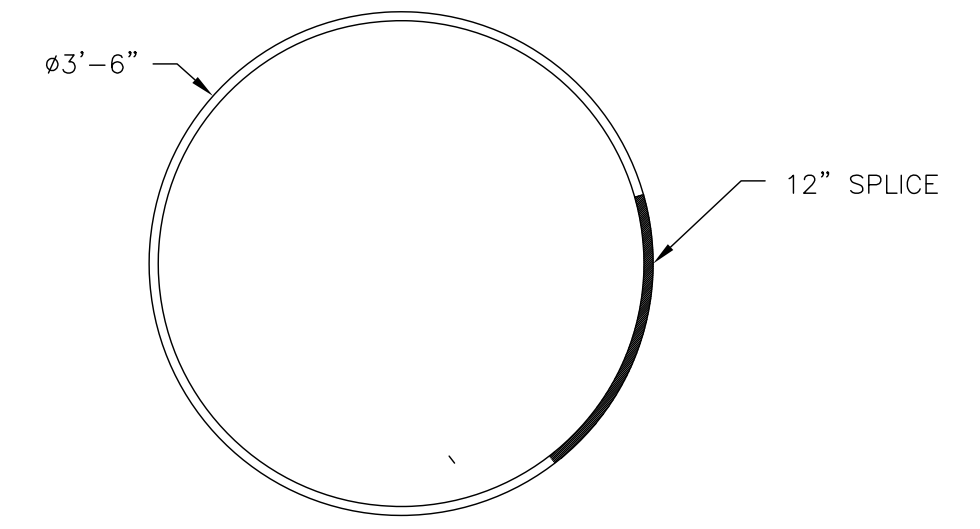


3 SIDE ELEVATION VIEW
SCALE: NTS

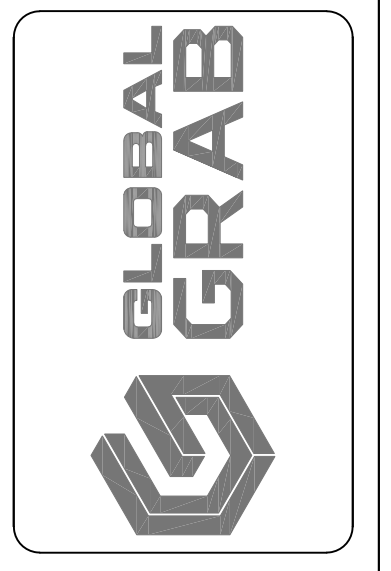
D-1 REBAR DETAIL
SCALE: NTS



D-2 REBAR DETAIL
SCALE: NTS



REV	DATE	DESCRIPTION	BY



DRAWN BY:	GGT	DATE:	09/20/2024
CHECKED BY:		SCALE:	AS NOTED
SIZE:	ANSI D	REV:	
DRAWING NUMBER:	DAG-001		

This sheet contains conceptual and proprietary information. This document may not be reproduced in any form without the written permission of GLOBAL GRAB TECHNOLOGIES, INC. © Copyright 2019. GLOBAL GRAB TECHNOLOGIES, INC. ALL RIGHTS RESERVED. MAKING THE EXPORT OR RE-EXPORT OF THIS DRAWING OR ANY INFORMATION CONTAINED HEREIN TO ANY OTHER COUNTRY WITHOUT THE WRITTEN PERMISSION OF GLOBAL GRAB TECHNOLOGIES, INC. IS STRICTLY PROHIBITED.

DROP ARM GATE
GENERAL ARRANGEMENT

FOR REFERENCE ONLY



SHEET ID
DAG-001
SHEET:--