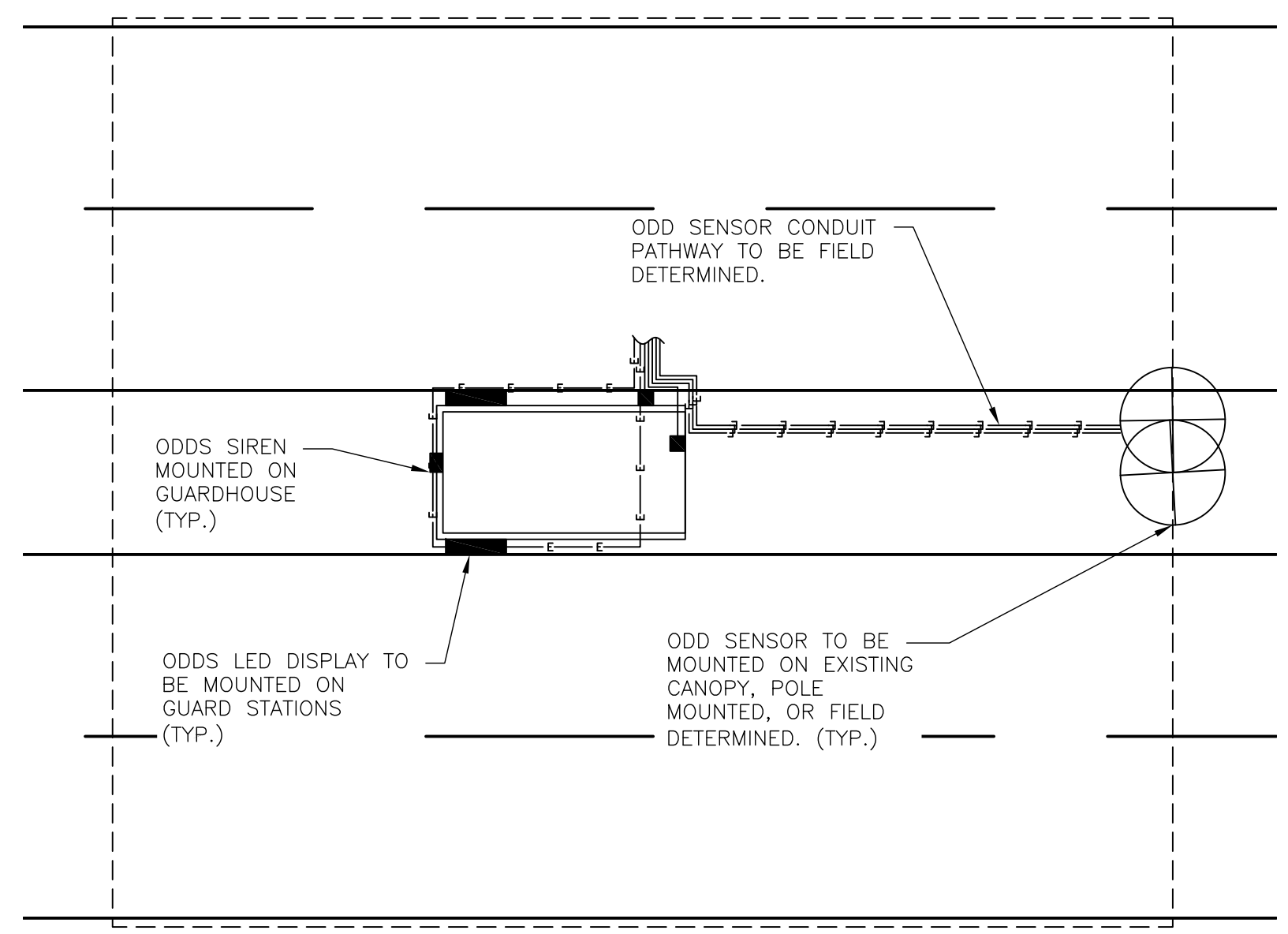
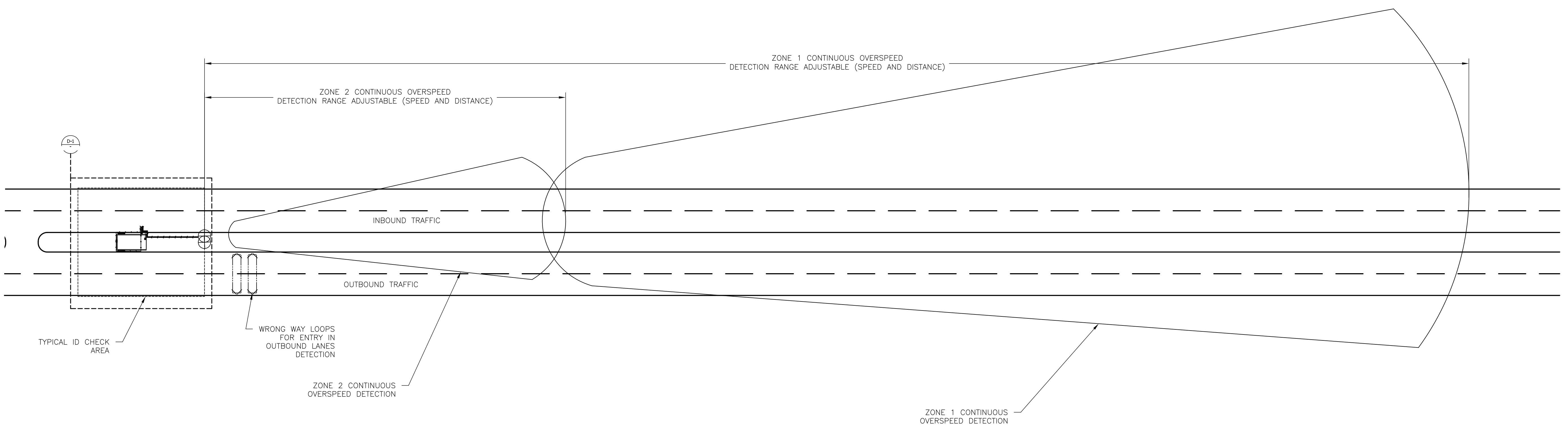


NOTES	
1	ALL EQUIPMENT LOCATIONS ARE NOMINAL AND SHALL BE DETERMINED IN THE FIELD.
2	CONDUIT ROUTING SHOWN FOR REFERENCE ONLY. CONDUIT ROUTING SHALL BE DETERMINED IN THE FIELD.



1 ID CHECK BOOTH TYPICAL LAYOUT
SCALE: N.T.S.



1 ODDS LAYOUT
SCALE: N.T.S.



DATE:	01/22/2020
SCALE:	AS NOTED
REV:	
DRAWING NUMBER:	ODDS SITE PLAN

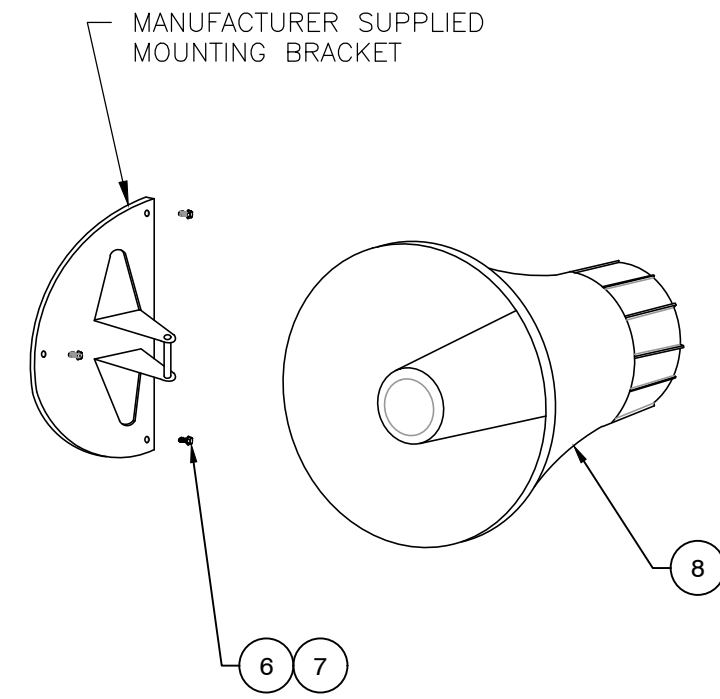
This sheet contains PROPRIETARY and CONFIDENTIAL information. This document may not be reproduced, stored, or transmitted in any form or by any means without the prior written permission of GLOBAL GRAB TECHNOLOGIES, INC. © Copyright 2019 GLOBAL GRAB TECHNOLOGIES, INC. ALL RIGHTS RESERVED. WARNING: THE EXPORT OR RE-EXPORT OF THIS DRAWING OR ANY INFORMATION CONTAINED HEREIN TO ANY OTHER COUNTRY WITHOUT THE EXPRESS WRITTEN PERMISSION OF GLOBAL GRAB TECHNOLOGIES, INC. IS STRICTLY PROHIBITED.

DRAWN BY:	CMT
CHECKED BY:	
SIZE:	ANSI D

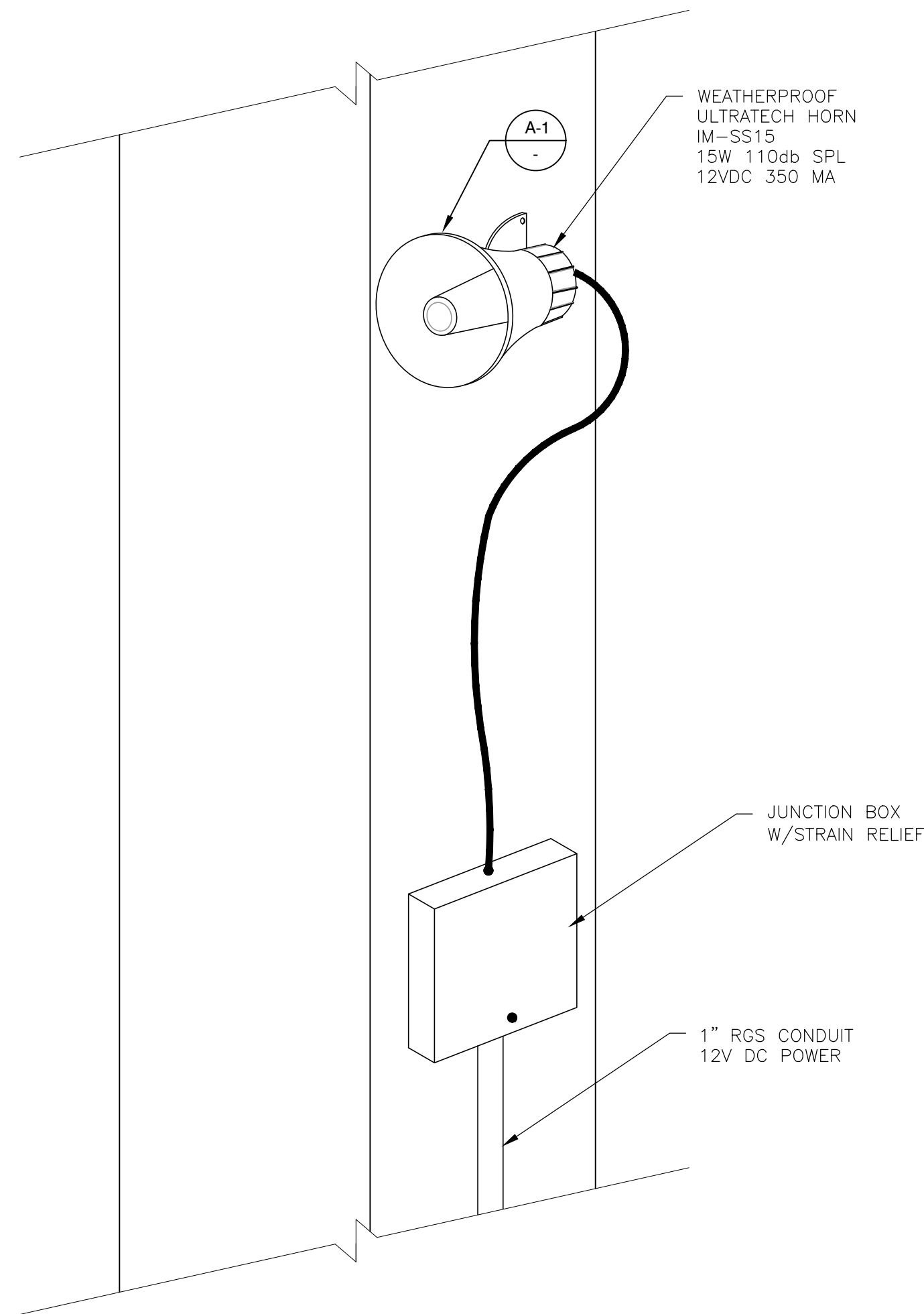
PROJECT NAME	ODDS LAYOUT
SHEET ID	1
SHEET:	

FOR APPROVAL
DO NOT BUILD

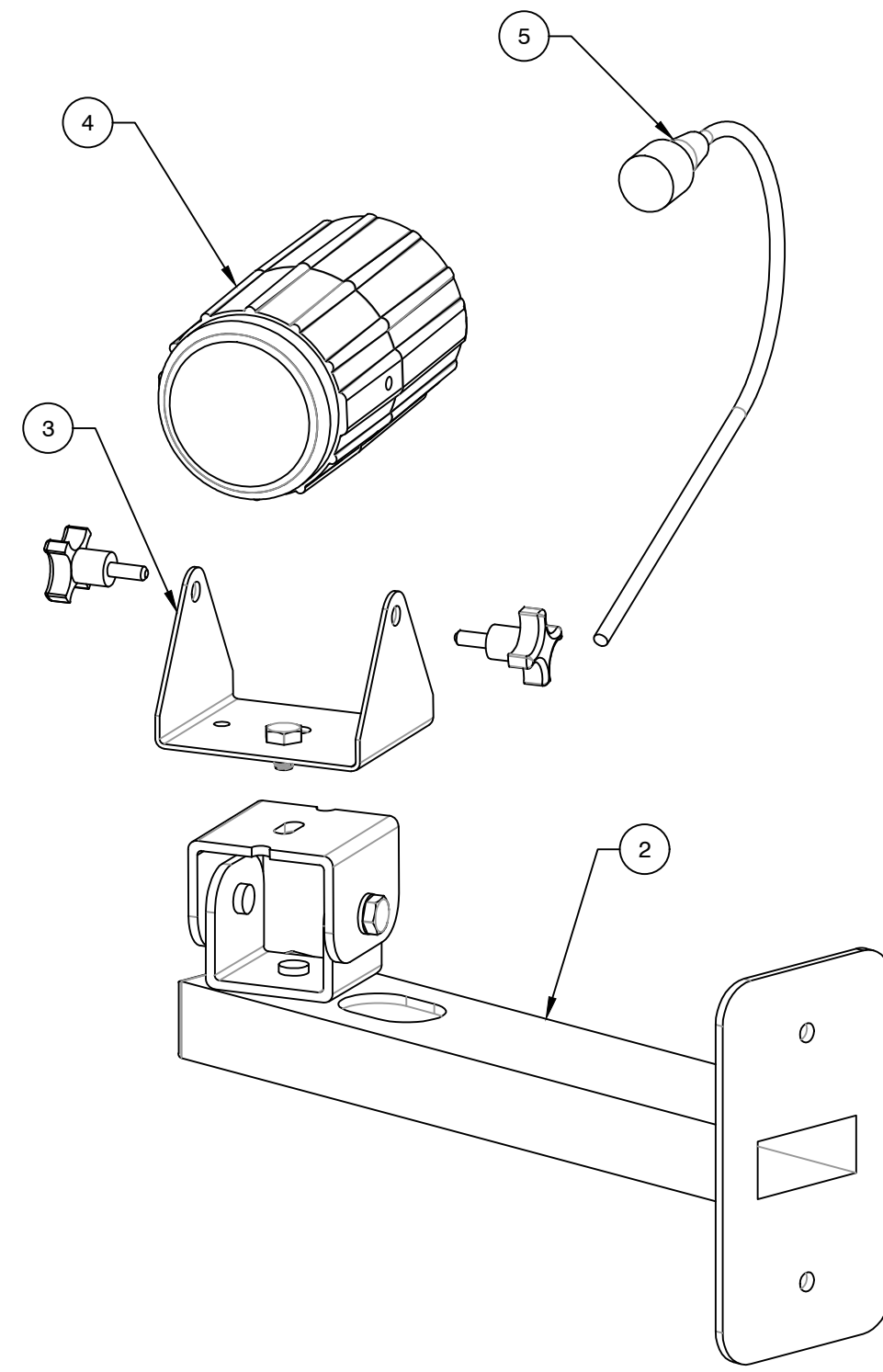
REV	DATE	DESCRIPTION	BY



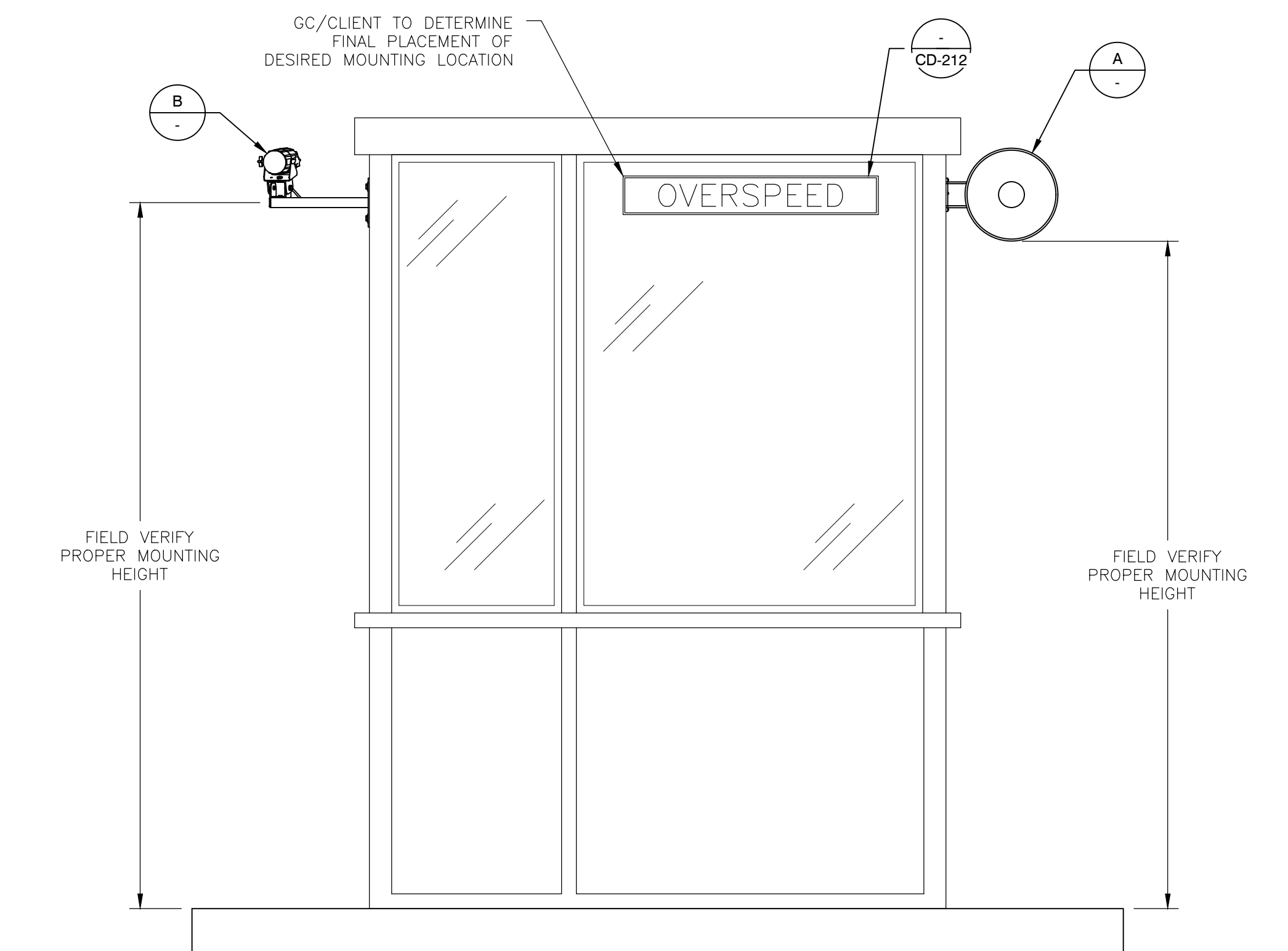
A-1
-
ODDS HORN HARDWARE DETAIL
SCALE: NTS



A
-
ODDS HORN MOUNTING DETAIL
SCALE: NTS



B-1
-
ODDS SENSOR EXPLODED VIEW
SCALE: NTS

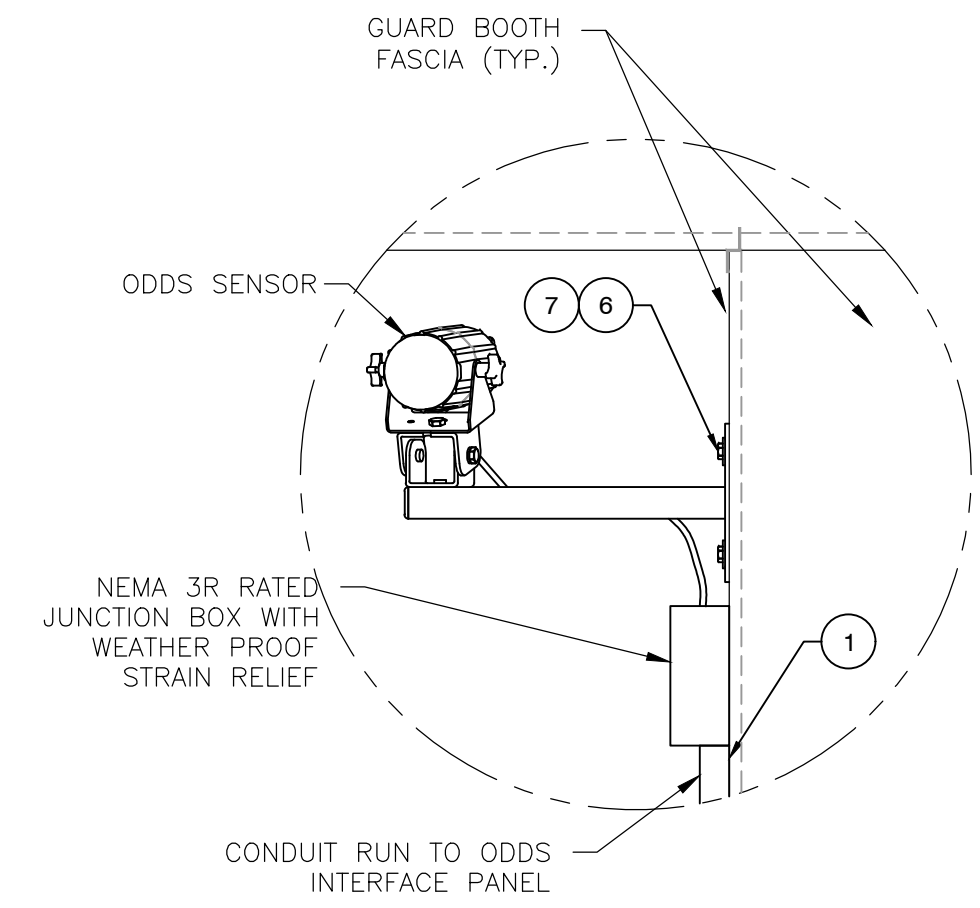


1
-
ODDS COMPONENT MOUNTING ON GUARD BOOTH
SCALE: NTS

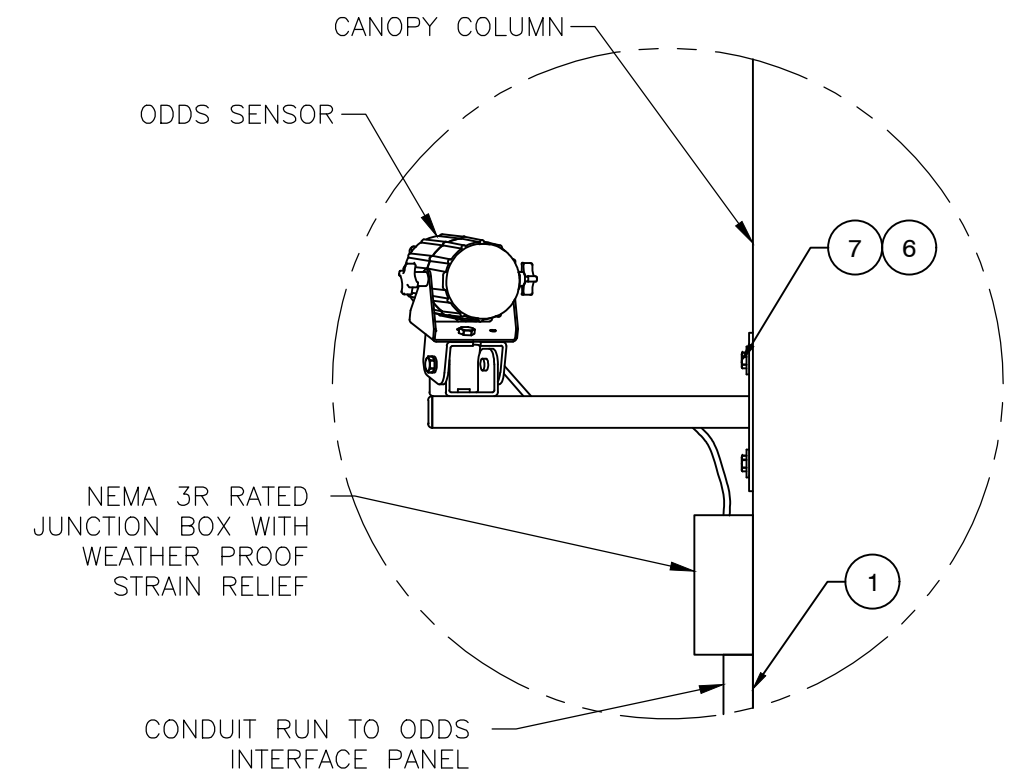
NOTE: GENERAL GUARD BOOTH REPRESENTATION

BILL OF MATERIAL			
PART#	ITEM	QTY	DESCRIPTION
-	1	2	1" RGS CONDUIT
001142	2	1	ODDS SENSOR ASSEMBLY MOUNTING BRACKET
000262	3	1	ODDS SENSOR MOUNTING BRACKET
000261	4	1	ODDS SENSOR
000263	5	1	ODDS SENSOR CABLE ASSEMBLY
000922	6	5	1/4"-20 X 1" LONG SELF DRILLING SCREW
000923	7	5	1/4"-20 LOCK WASHER
603819	8	1	EXTERNAL SIREN 15W 115DB 2-TONE

NOTES	
1	CONDUIT TO BE PROVIDED BY INSTALLER
2	QUANTITIES LISTED ARE FOR (1) ODDS SENSOR AND (1) HORN.
3	COORDINATE WITH GC & FIELD LOCATE SENSORS FOR BEST PERFORMANCE OF SYSTEM.
4	ODDS COMPONENTS MUST ONLY ATTACH TO GUARD BOOTH FASCIA AS TO NOT VOID THE BOOTH'S BALLASTIC RATING.



B
-
ODDS SENSOR MOUNTING DETAIL
SCALE: NTS



C
-
CANOPY COLUMN MOUNTING DETAIL
SCALE: NTS



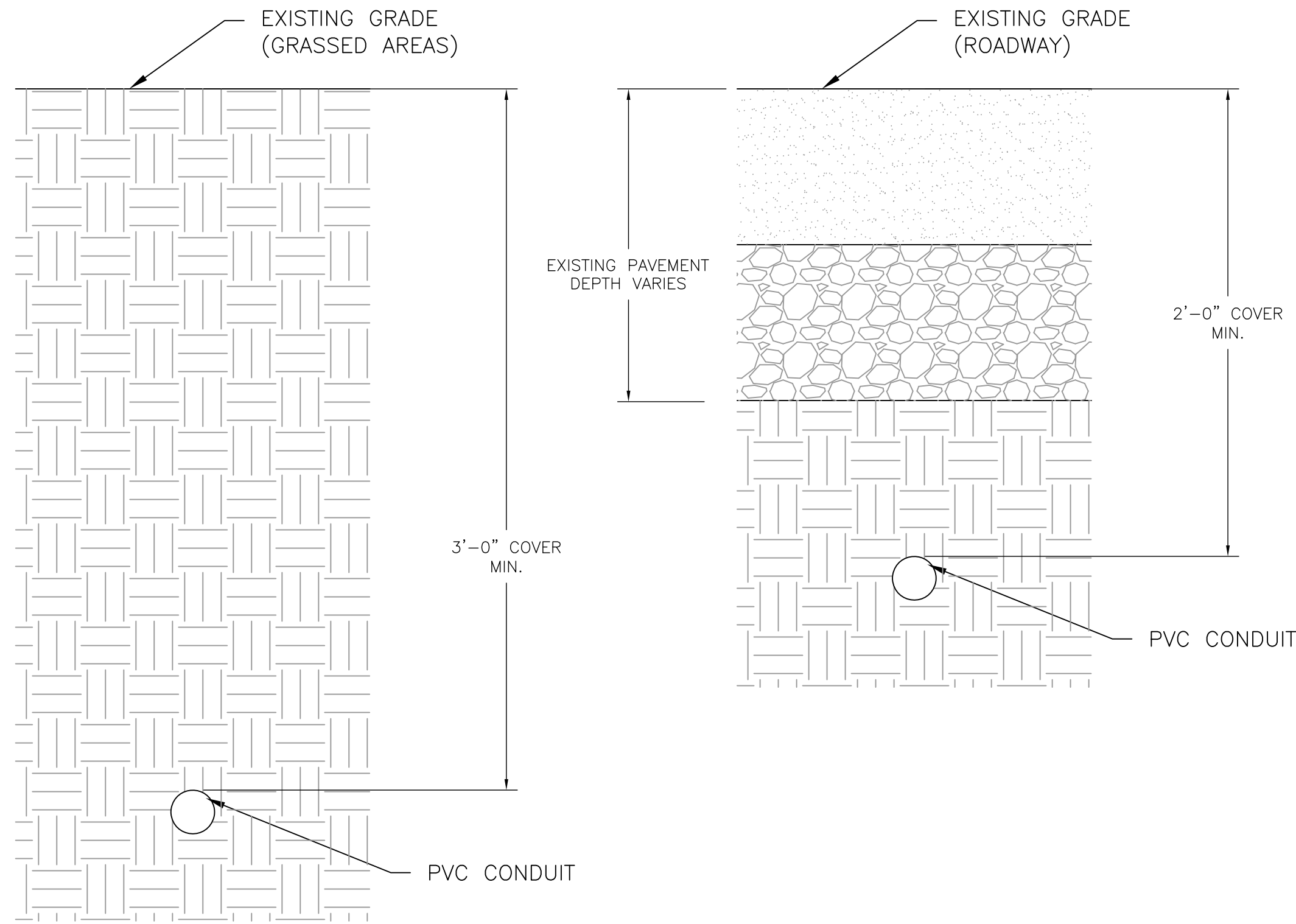
DRAWN BY: JWP	DATE: 11/05/2013
CHECKED BY: JBC	SCALE:
SIZE: ANSI D	REV:
DRAWING NUMBER:	

SENSOR-HORN-DISPLAY DETAILS

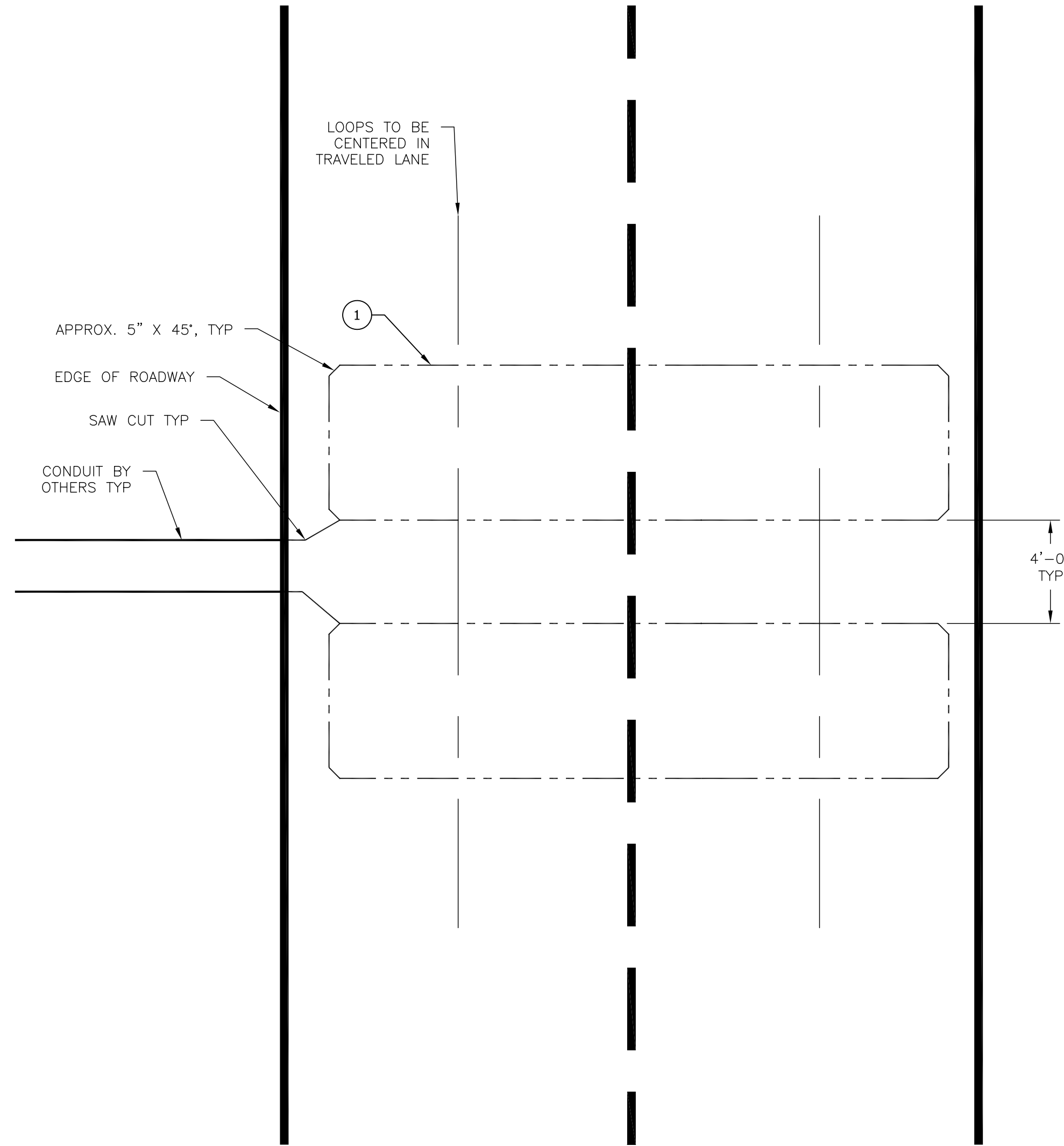
PROJECT NAME
TYPICAL ODDS SENSOR AND HORN MOUNTING DETAIL

SHEET ID
ETAILS
SHEET:

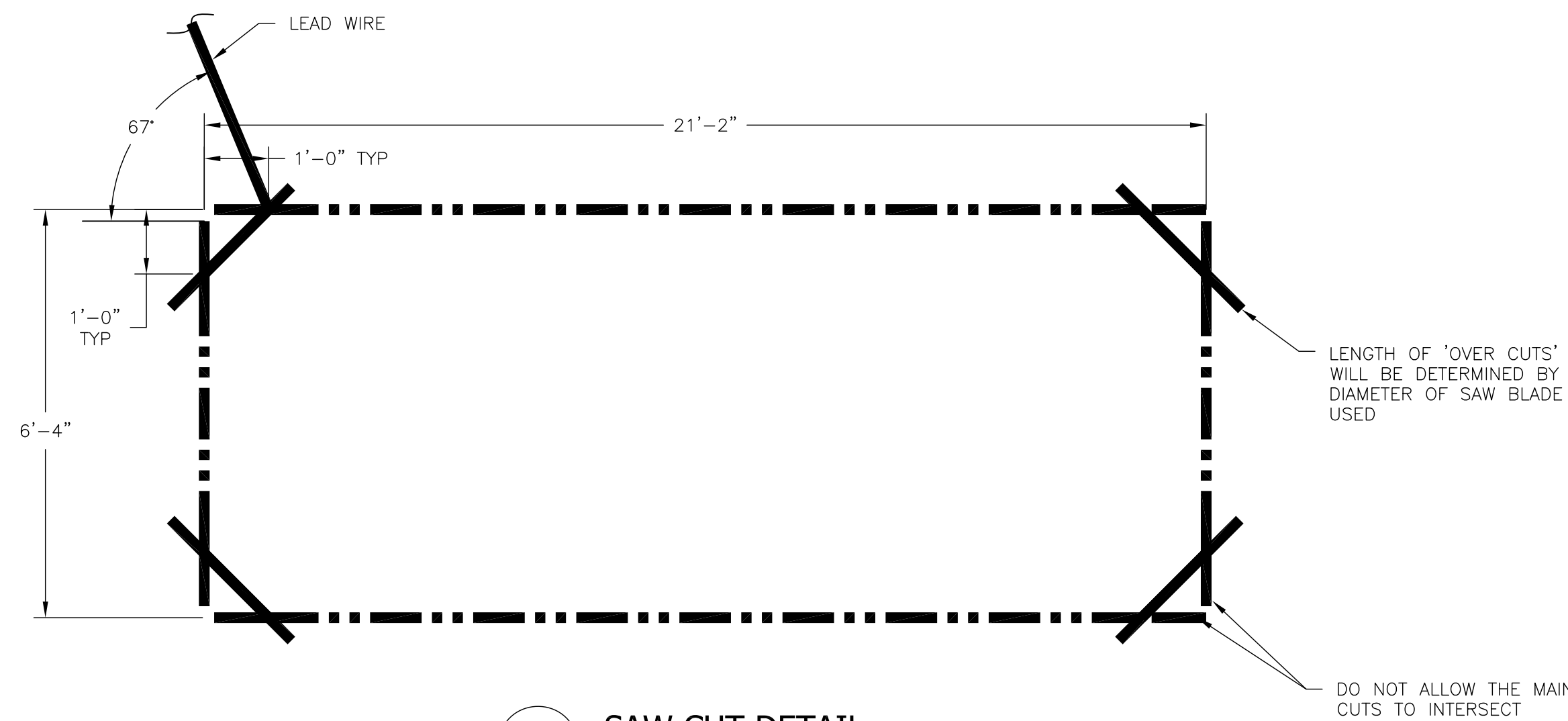
FOR APPROVAL
DO NOT BUILD



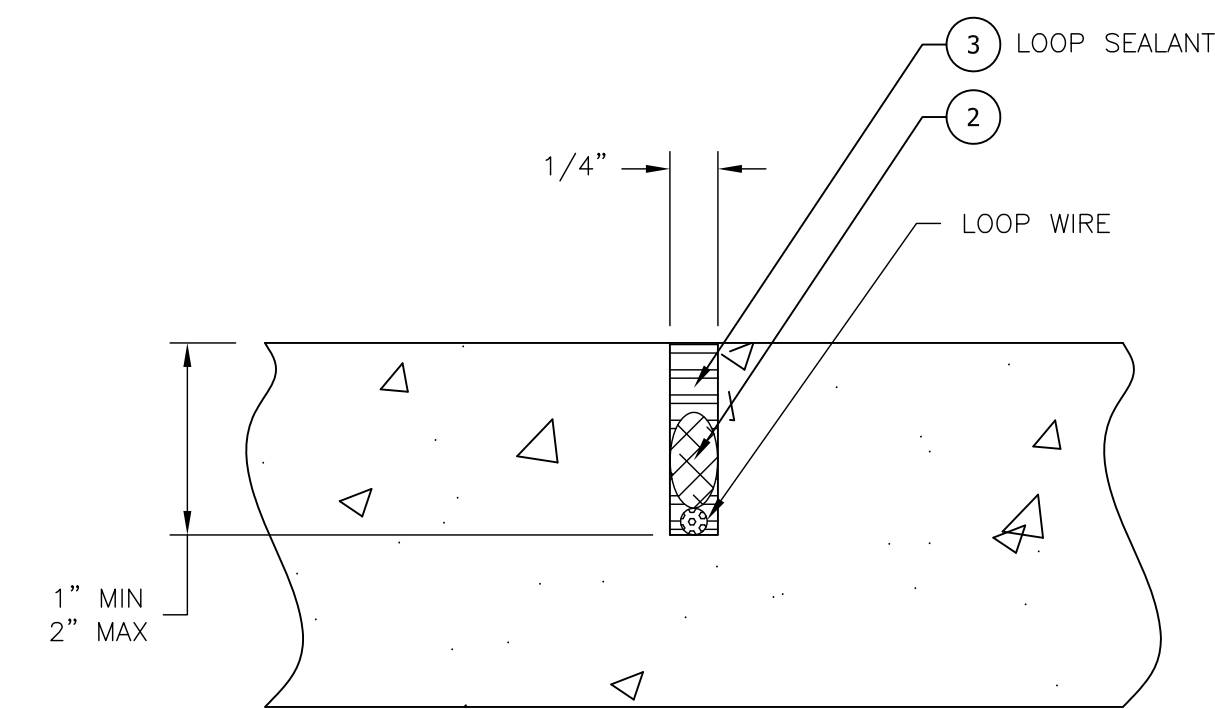
D-3 CONDUIT INSTALLATION DEAILS
SCALE: NTS



1 PLAN VIEW
SCALE: NTS



D-1 SAW CUT DETAIL
SCALE: NTS



D-2 SAW CUT SECTION VIEW
SCALE: NTS

BILL OF MATERIAL			
PART#	ITEM	QTY	DESCRIPTION
-	1	2	INDUCTION LOOP WIRE - 14 GAUGE
-	2	8	POLYFOAM BACKER ROD 3/8" DIA. ~ QUANTITY IS LINEAR FEET
-	3	13	LOOP SEALANT

- NOTES
- 1 QUANTITY LISTED IS FOR (1) SET OF (2) LOOPS
 - 2 SAW CUT DEPTH SHALL BE 1-1/2" (MIN) - 2" (MAX).

- INSTALLATION NOTES
- 1 SAW CUT WIDTH SHALL BE 3/8".
 - 2 SAW CUT DEPTH SHALL BE 1-1/2" (MIN) - 2" (MAX).
 - 3 BEFORE INSTALLING THE LOOPS, THE SAW CUT SLOT MUST BE CLEANED OUT, FREE OF ANY SHARP CORNERS, AND ALLOWED TO DRY.
 - 4 A SHARP OBJECT SHALL NOT BE USED TO TAMP LOOP WIRE. THE OBJECT SHALL BE MADE OF PLASTIC OR WOOD MATERIAL.
 - 5 LOOP WIRES SHALL BE SECURED IN PLACE AT THE BOTTOM OF SAW CUT SLOT USING BACKER ROD.
 - 6 INSTALLATION SHALL BE FINISHED WITH STAT-A-FLEX LOOP SEALANT, AND INSTALLED PER MANUFACTURER'S RECOMMENDATION.
 - 7 LOOP SEALANT SHALL NOT BE INSTALLED WHEN (1) THERE IS ANY MOISTURE ON THE SURFACE, (2) THE AIR TEMPERATURE IS BELOW 40°F, OR (3) OTHER CONDITIONS THAT WOULD AFFECT THE BONDING OF THE MATERIAL TO THE SURFACE.
 - 8 INSTALLATION CONTRACTOR RESPONSIBLE FOR TESTING FULLY INSTALLED LOOPS WITH A TIME DOMAIN REFLECTOMETER (MEGGER, OR EQUIVALENT). AT THE LOOP MODULE. ALL LOOPS MUST TEST AT A MINIMUM 100 M-OHM. ANY LOOPS TESTING BELOW 100 M-OHM MUST BE REPLACED.
 - 9 LOOP WIRE MUST BE INSTALLED IN CONDUIT FROM ROAD EDGE TO PANEL HOUSING LOOP MODULE.
 - 10 IF LOOP WIRE IS SPLICED IN HANDHOLE, THE SPLICE SHOULD BE SOLDERED AND MADE WATERPROOF WITH ADHESIVE LINED SHRINK TUBE.
 - 11 LOOP LEADS TO HAVE (6) TWISTS PER FOOT.
 - 12 NO MORE THAN 3' OF EXCESS LOOP WIRE TO BE LEFT IN PANEL.
 - 13 BACKER ROD TO BE PLACED ABOVE LOOP WIRE IN INCREMENTS OF 1" PER FOOT.
 - 14 A PREP MEETING WITH GGT SITE MANAGER IS REQUIRED PRIOR TO PLACING LOOPS.



DRAWN BY:	DATE:
CHECKED BY:	SCALE:
SIZE:	AS NOTED
DRAWING NUMBER:	REV:
ANSI D	
WRONG WAY LOOPS	

This is a technical drawing and not a contract. It is the responsibility of the user to verify all dimensions and specifications. This document may not be reproduced or transmitted in any form without the written permission of GLOBAL GRAB TECHNOLOGIES, INC. © Copyright 2019. GLOBAL GRAB TECHNOLOGIES, INC. ALL RIGHTS RESERVED. WARNING: THE EXPORT OR RE-EXPORT OF THIS DRAWING TO ANY OTHER COUNTRY WITHOUT THE EXPRESS WRITTEN PERMISSION OF GLOBAL GRAB TECHNOLOGIES, INC. IS STRICTLY PROHIBITED.

PROJECT NAME
WRONG WAY LOOP DETECTION
INSTALLATION DETAIL

SHEET ID
LOOPS
SHEET:--

FOR APPROVAL
DO NOT BUILD