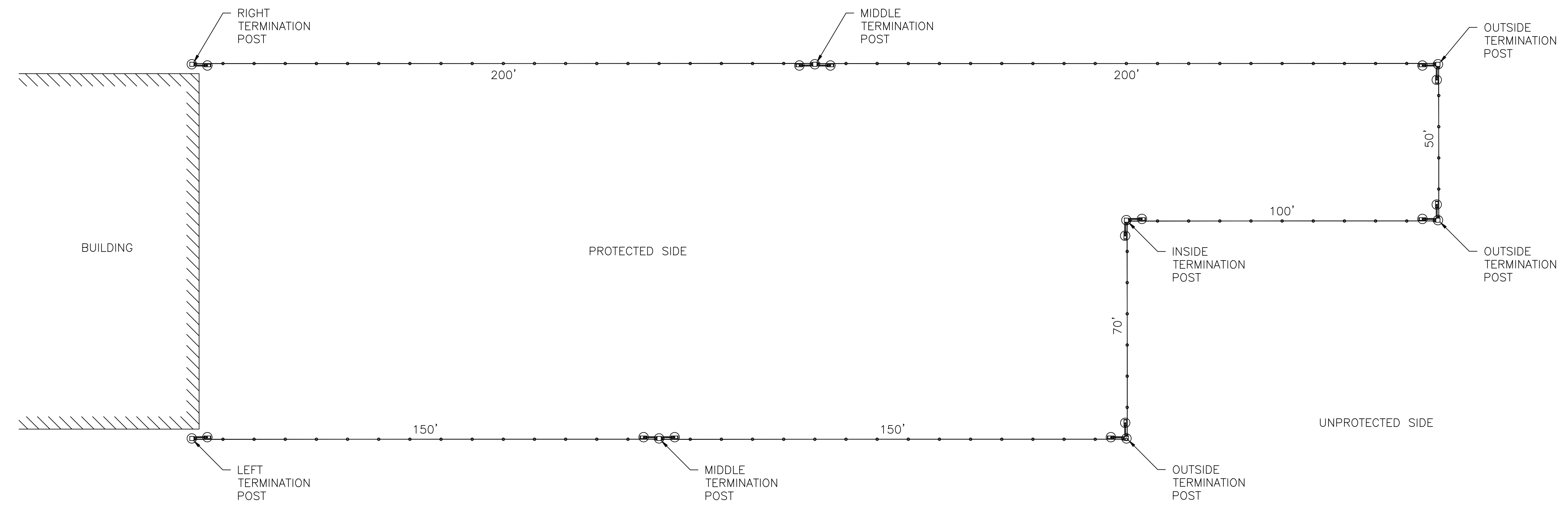


NOTES

- 1 ALL ITEMS SHOWN FOR REVIEW AND REFERENCE. FINAL LOCATIONS SHALL BE COORDINATED IN FIELD WITH GENERAL CONTRACTOR/CLIENT/OWNER. ANY CHANGES TO LOCATIONS OF ANY ITEMS SHALL BE COMMUNICATED TO GGT BY WRITTEN DIRECTION PRIOR TO IMPLEMENTATION OF ANY CHANGES TO DRAWINGS.
- 2 LAYOUT ENTIRE RUN FROM RIGHT/LEFT END POST TO RIGHT/LEFT END POST PRIOR TO EXCAVATION. COORDINATE WITH GC ON LOCATION AND ELEVATION PRIOR TO INSTALLATION.



1
CS-003 POST & CABLE BARRIER LAYOUT
SCALE: 1" = 40'-0"

REV	DATE	DESCRIPTION	BY



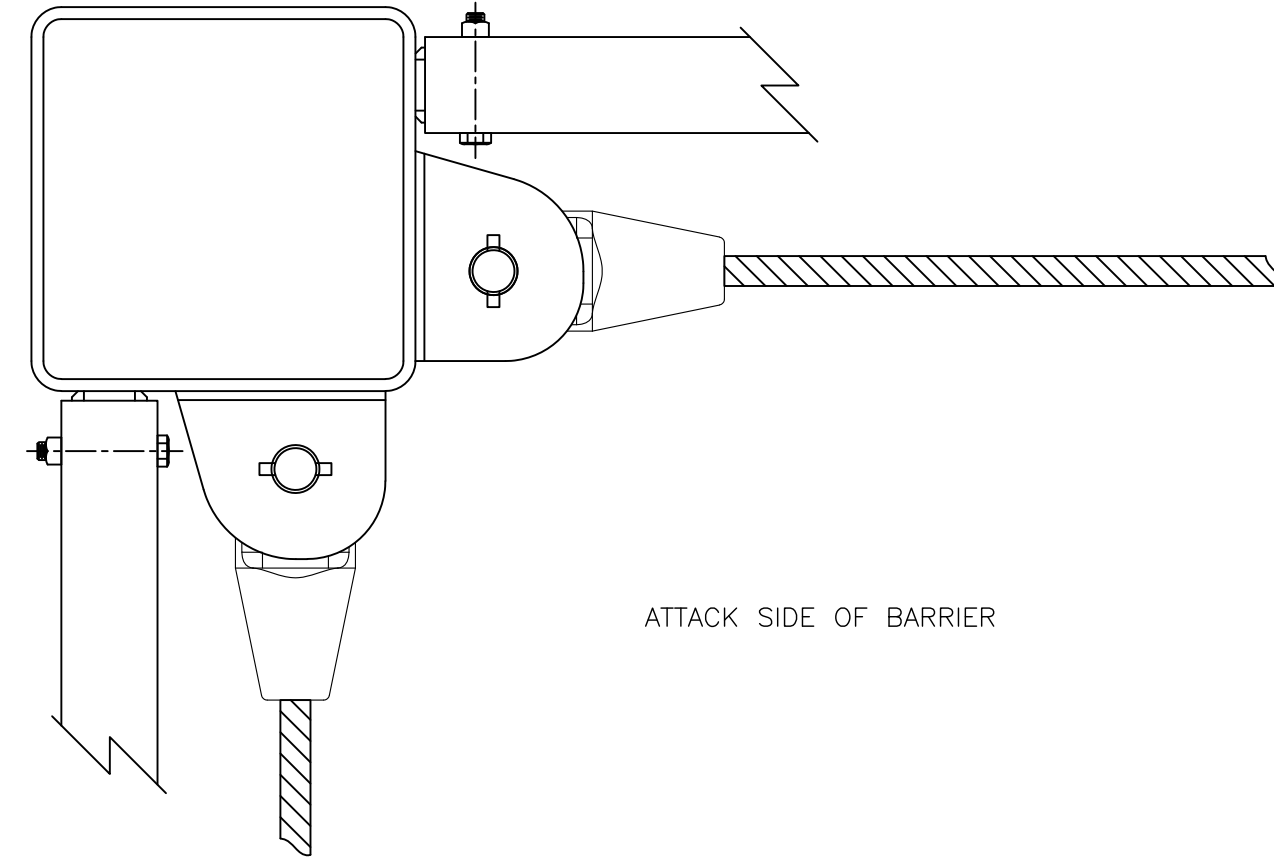
DRAWN BY: CMT	DATE: 01/22/2020
CHECKED BY:	SCALE: AS NOTED
SIZE: ANSI D	REV:
DRAWING NUMBER: SW1200-1	

This sheet contains proprietary and confidential information. This document may not be reproduced in any form without the written permission of GLOBAL GRAB TECHNOLOGIES, INC.
© COPYRIGHT 2019 GLOBAL GRAB TECHNOLOGIES, INC. ALL RIGHTS RESERVED.
WARNING: THE EXPORT OF RE-EXPORT OF THIS DRAWING TO ANY OTHER COUNTRY WITHOUT THE EXPRESS WRITTEN PERMISSION OF GLOBAL GRAB TECHNOLOGIES, INC. IS PROHIBITED.

PROJECT NAME	POST & CABLE BARRIER LAYOUT
--------------	-----------------------------

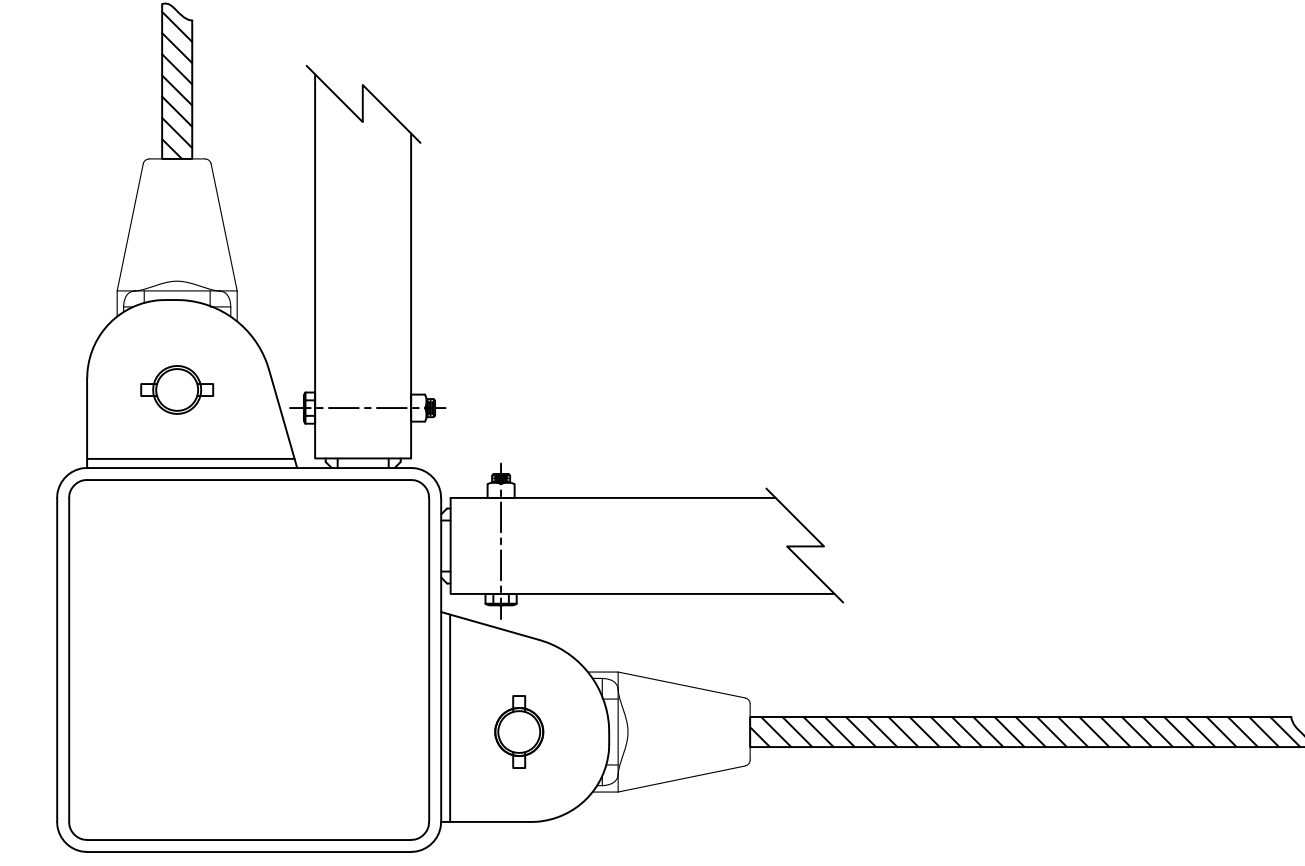
SHEET ID	SW1200-1
SHEET:	

FOR APPROVAL
DO NOT BUILD



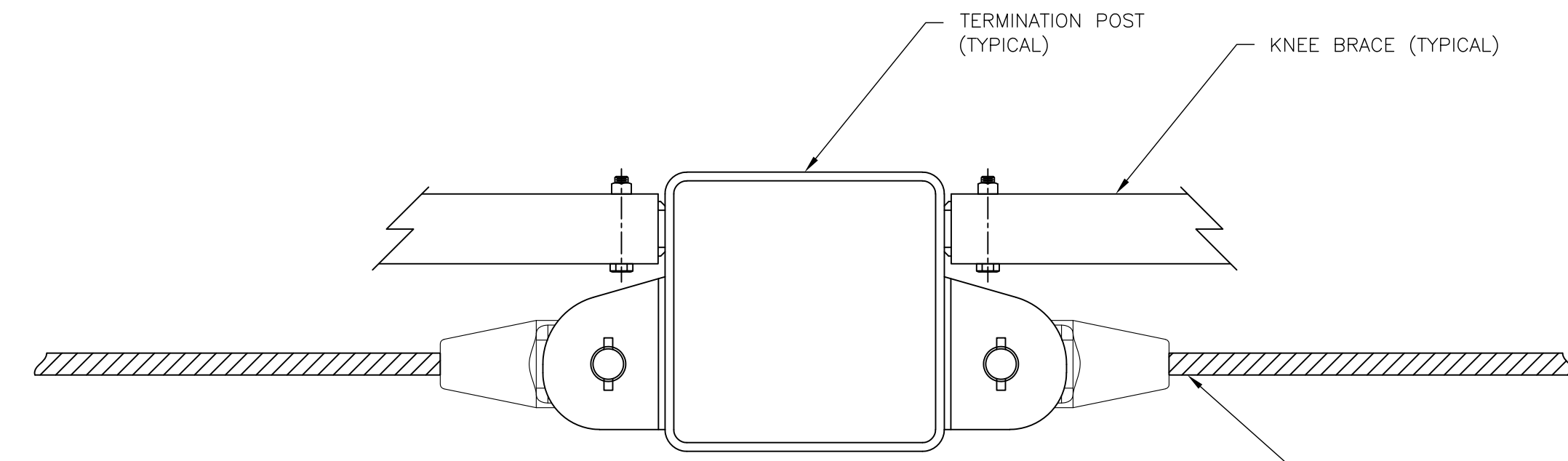
ATTACK SIDE OF BARRIER

1 INSIDE CORNER
SCALE: NTS



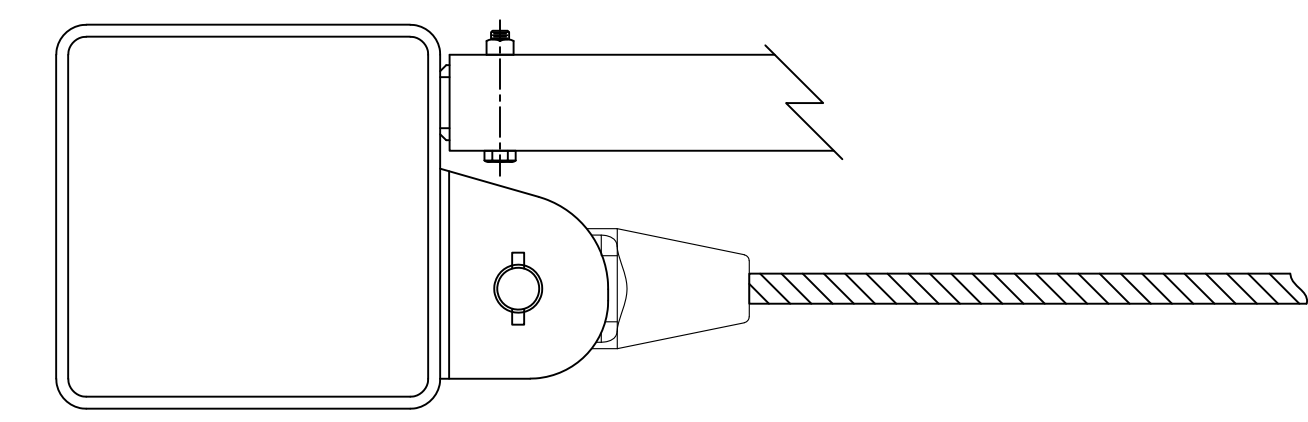
ATTACK SIDE OF BARRIER

2 OUTSIDE CORNER
SCALE: NTS



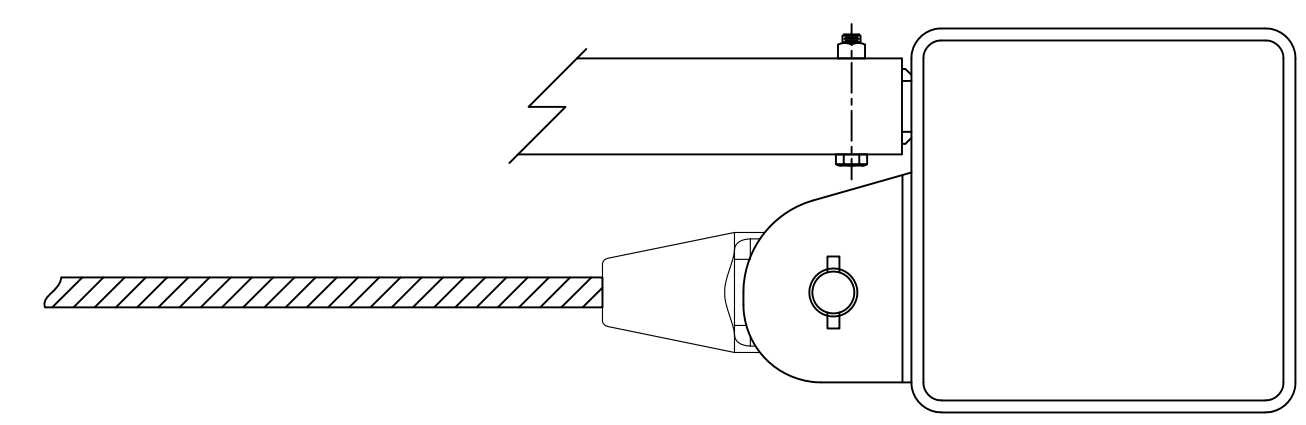
ATTACK SIDE OF BARRIER

3 MIDDLE SPAN
SCALE: NTS



ATTACK SIDE OF BARRIER

4 LEFT SIDE
SCALE: NTS



ATTACK SIDE OF BARRIER

5 RIGHT SIDE
SCALE: NTS

REV	DATE	DESCRIPTION	BY



DRAWN BY: FNSS	DATE: -
CHECKED BY: FNSS	SCALE: AS NOTED
SIZE: ANSI D	REV: -
DRAWING NUMBER: SW1200	

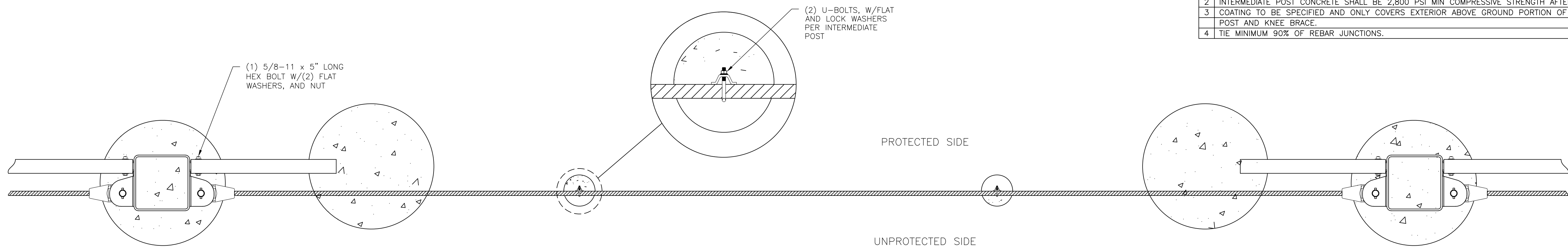
This sheet contains CONFIDENTIAL and PROPRIETARY INFORMATION. This document may not be reproduced in any form without the written permission of GLOBAL GRAB TECHNOLOGIES, INC.
© Copyright 2019 GLOBAL GRAB TECHNOLOGIES, INC. ALL RIGHTS RESERVED.
WARNING: THE EXPORT OR RE-EXPORT OF THIS DRAWING TO U.S. EMBASSIES, CONSULS, AND REGULATORY AGENCIES IS PROHIBITED WITHOUT THE PRIOR WRITTEN PERMISSION OF GLOBAL GRAB TECHNOLOGIES, INC.

PROJECT NAME
SW1200
M50-P2 POST & CABLE SYSTEM
INSTALLATION DETAILS

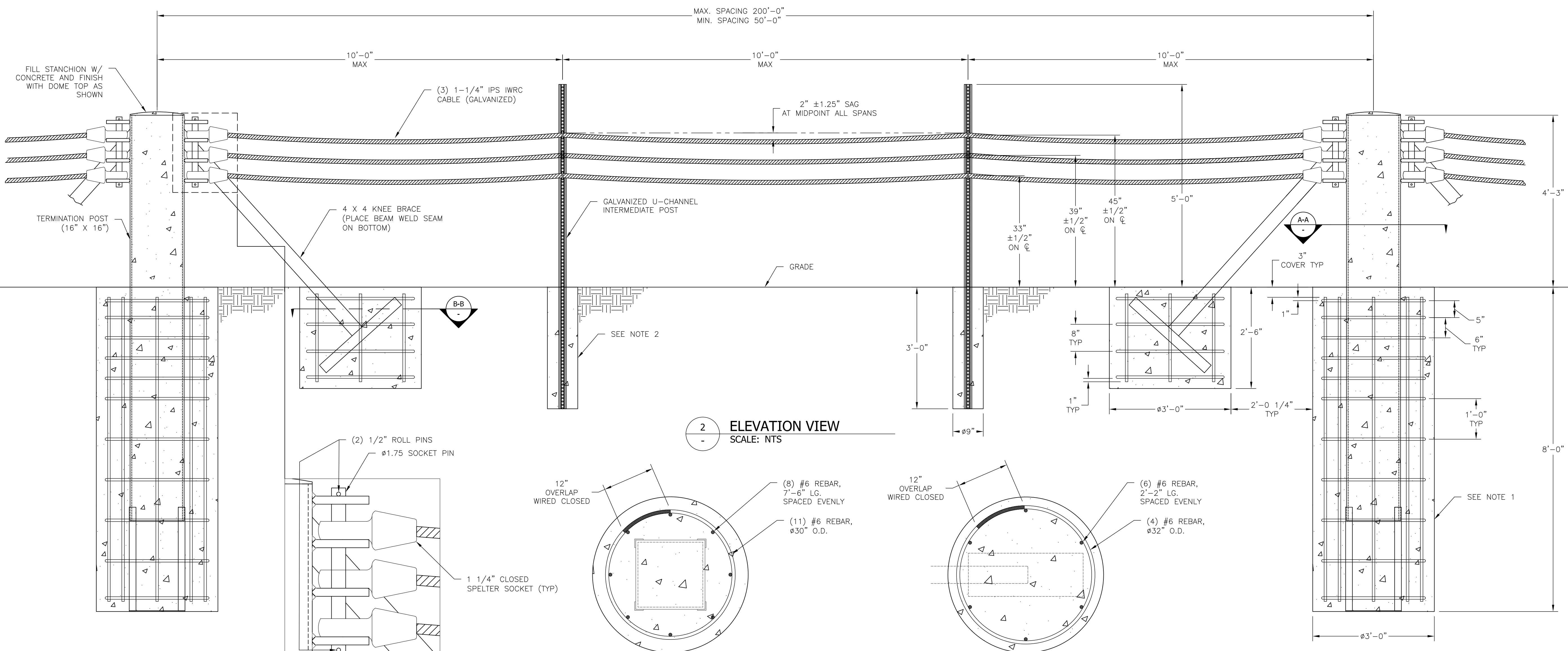
SHEET ID
SW1200
SHEET: 2 OF 2

FOR APPROVAL
DO NOT BUILD

NOTES	
1	TERMINAL POST CONCRETE SHALL BE 4,000 PSI MIN COMPRESSIVE STRENGTH AFTER 28 DAY CURE.
2	INTERMEDIATE POST CONCRETE SHALL BE 2,800 PSI MIN COMPRESSIVE STRENGTH AFTER 28 DAY CURE.
3	COATING TO BE SPECIFIED AND ONLY COVERS EXTERIOR ABOVE GROUND PORTION OF TERMINATION POST AND KNEE BRACE.
4	TIE MINIMUM 90% OF REBAR JUNCTIONS.



1 PLAN VIEW
SCALE: NTS



2 ELEVATION VIEW
SCALE: NTS

A-A SECTION VIEW
SCALE: NTS

B-B SECTION VIEW
SCALE: NTS

FOR APPROVAL
DO NOT BUILD

REV	DATE	DESCRIPTION	BY



DATE: -	SCALE: AS NOTED
DRAWN BY: GGT	CHECKED BY: GGT
SIZE: ANSI D	DRAWING NUMBER: SW1200

This sheet contains confidential and proprietary information. This document may not be reproduced in any form without the written permission of GLOBAL GRAB TECHNOLOGIES, INC. © Copyright 2019. GLOBAL GRAB TECHNOLOGIES, INC. ALL RIGHTS RESERVED. MAKING THE EXPORT OR RE-EXPORT OF THIS DRAWING TO ANY OTHER COUNTRY WITHOUT THE EXPRESS WRITTEN PERMISSION OF GLOBAL GRAB TECHNOLOGIES, INC. IS PROHIBITED.

PROJECT NAME
SW1200

M50-P2 POST & CABLE SYSTEM
INSTALLATION DETAILS

SHEET ID
SW1200

SHEET: 1 OF 2