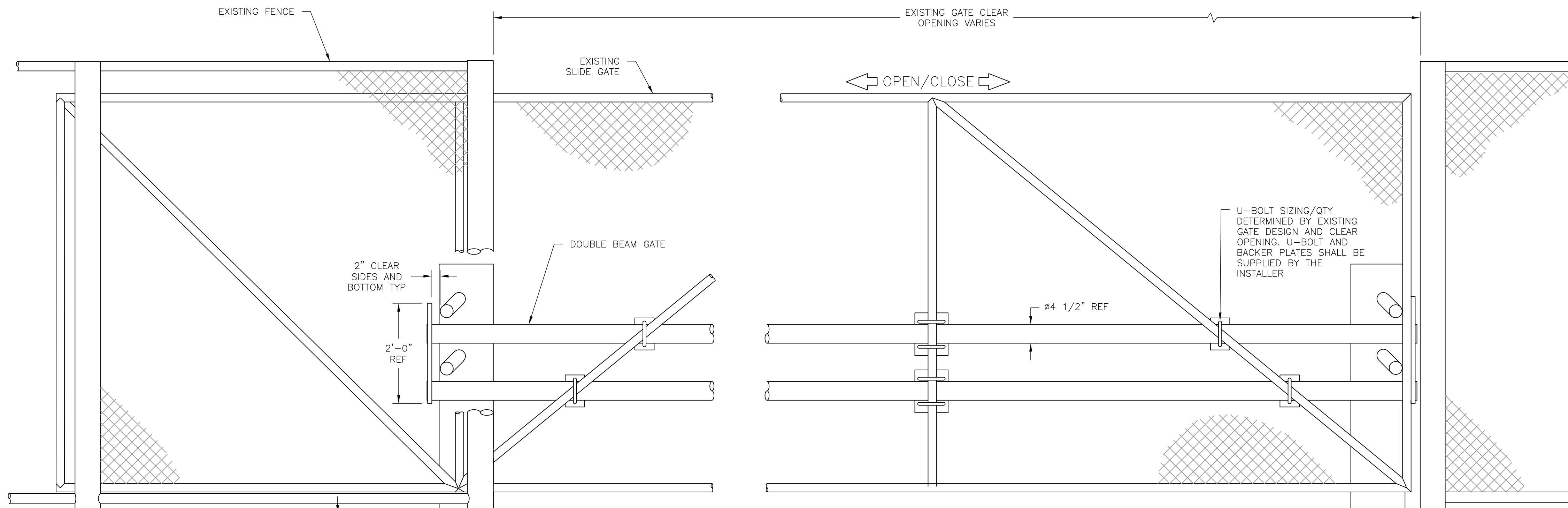
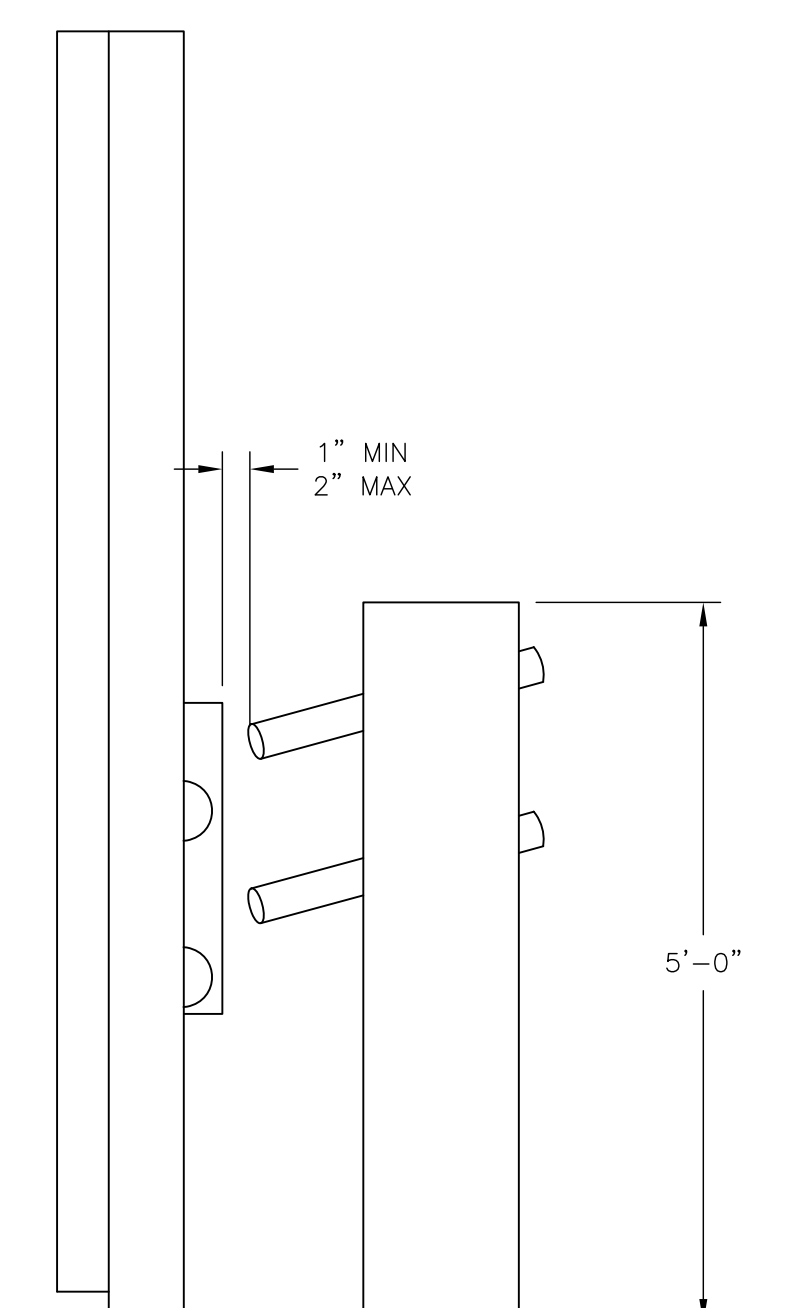


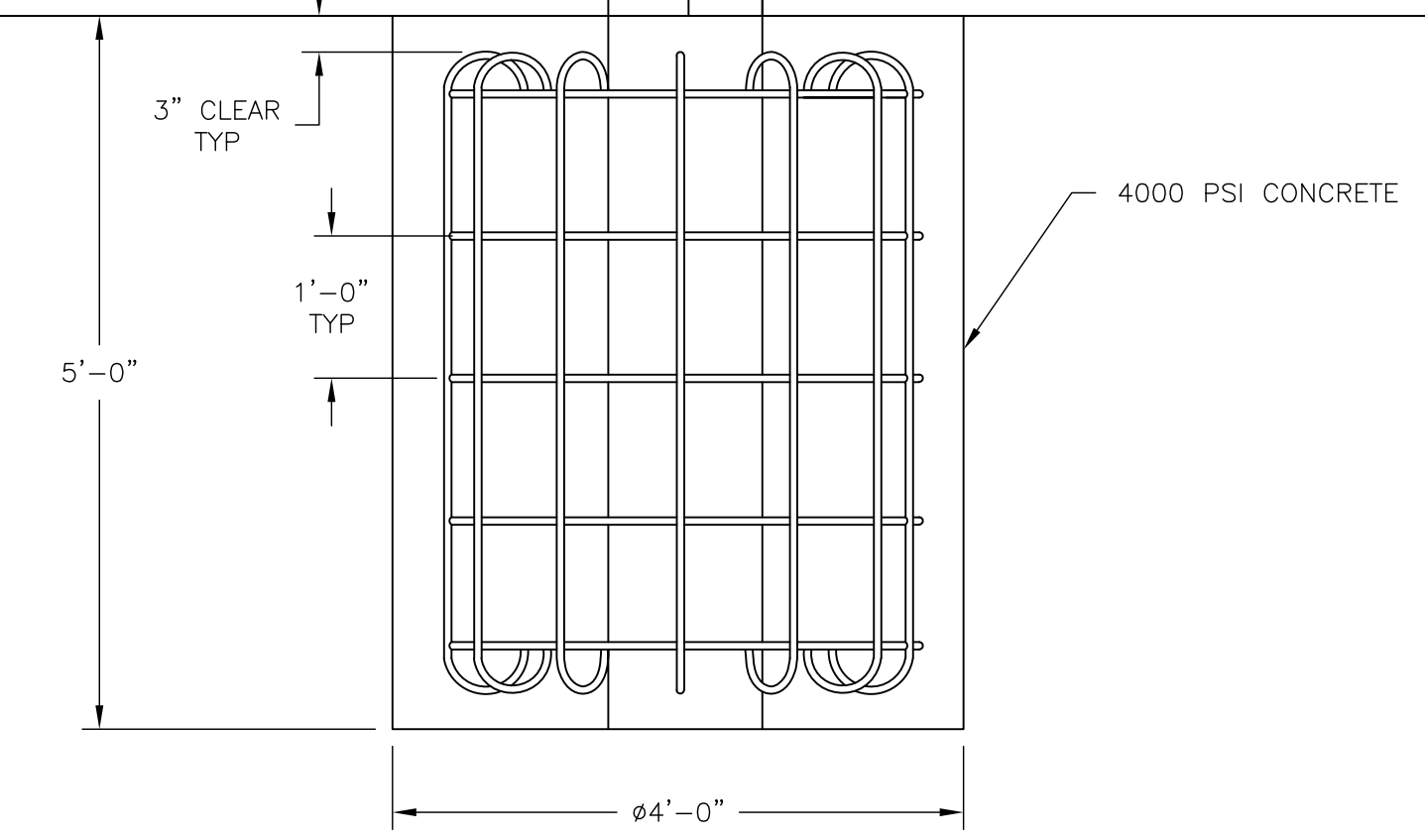
1 PLAN VIEW
SCALE: NTS



2 ELEVATION VIEW
SCALE: NTS



2 SIDE ELEVATION VIEW
SCALE: NTS



REV	DATE	DESCRIPTION	BY
-	-	-	-



DRAWN BY: GGT	DATE: 01/16/2024
CHECKED BY: -	SCALE: AS NOTED
SIZE: ANSI D	REV: -
DRAWING NUMBER: DCB-001	

This is a confidential document and contains proprietary information. This document may not be reproduced in any form without the written permission of GLOBAL GRAB TECHNOLOGIES, INC.
© Copyright 2019 GLOBAL GRAB TECHNOLOGIES, INC. ALL RIGHTS RESERVED.
WARNING: THE EXPORT OR RE-EXPORT OF THIS DRAWING TO THE U.S. EXPORT ADMINISTRATION REGULATIONS OF THE U.S. DEPARTMENT OF COMMERCE IS PROHIBITED.

DOUBLE CRASH BEAM
SINGLE LEAF SLIDE GATE
GENERAL ARRANGEMENT

FOR REFERENCE ONLY



SHEET ID
DCB-001
SHEET:--