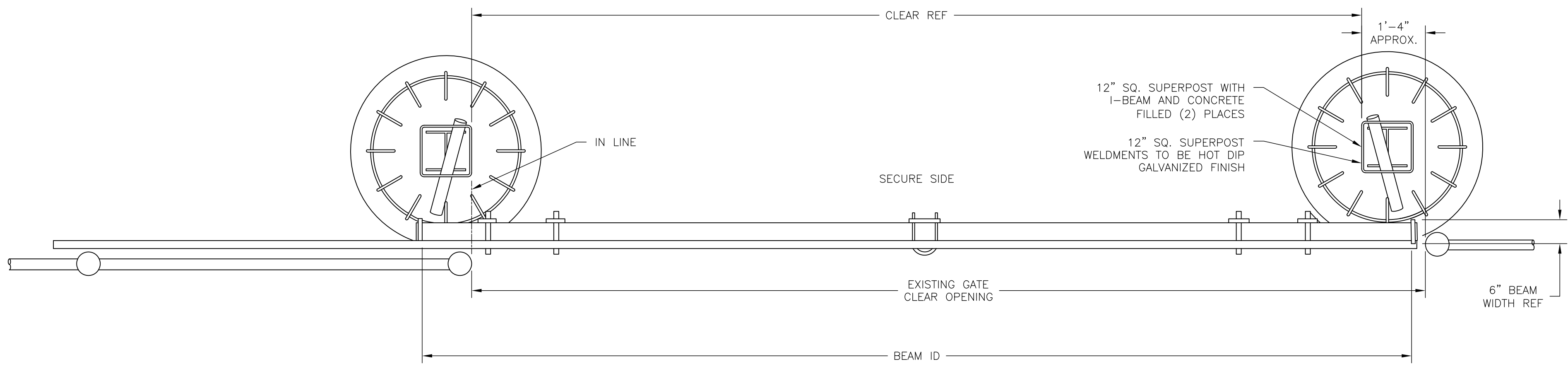
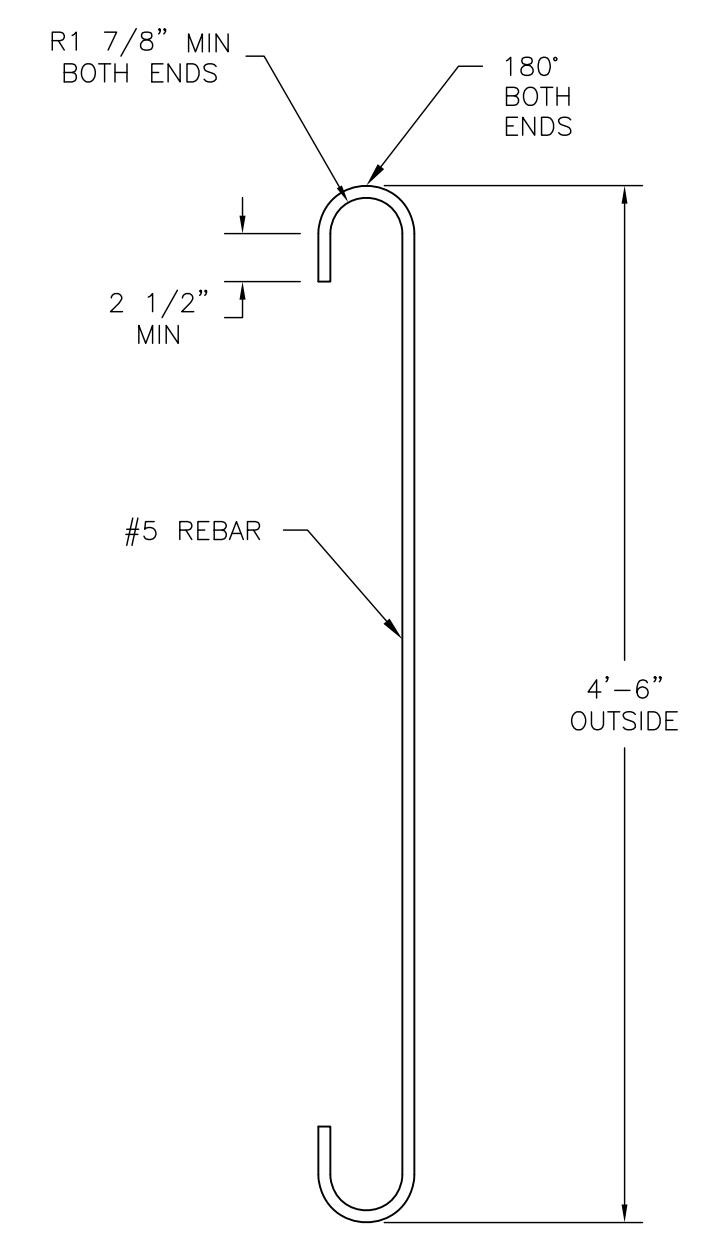


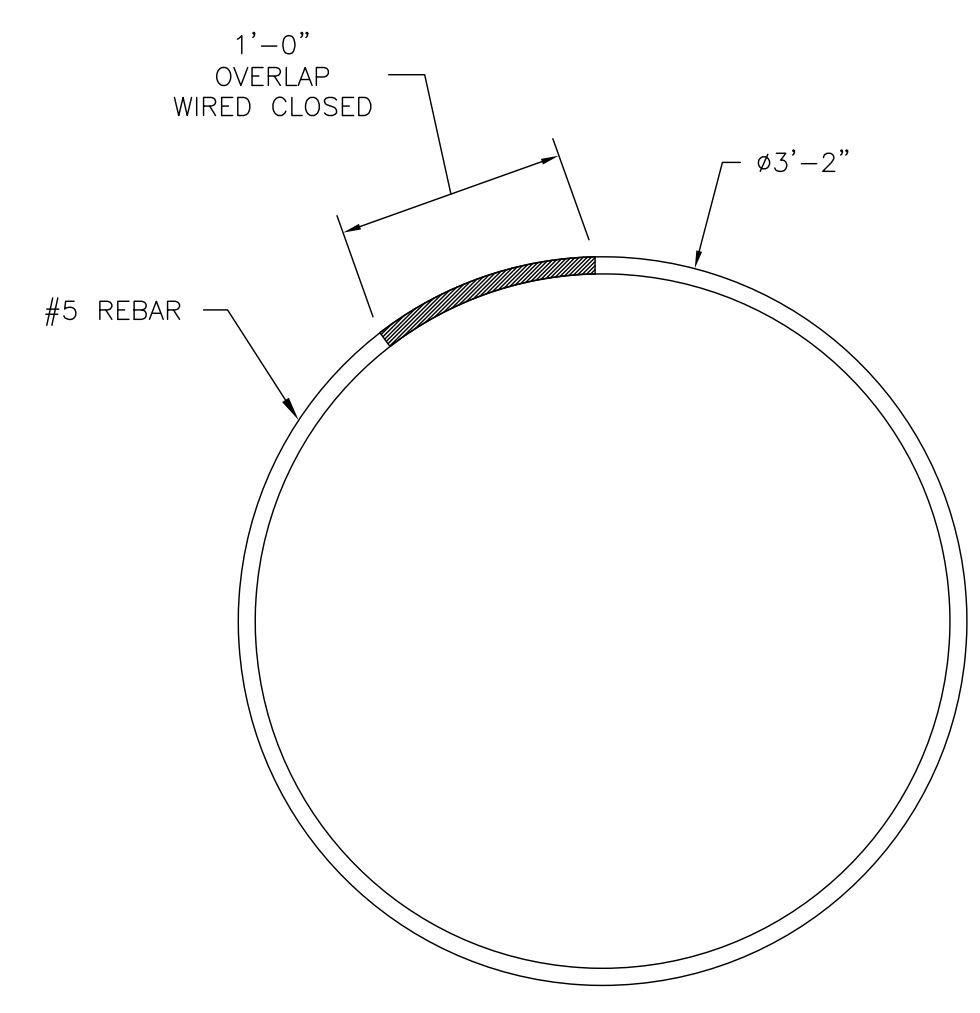
NOTES
 1 INSTALLER SHALL DETERMINE AND MITIGATE ANY OBSTRUCTIONS FROM THE GATE MOUNTED DOUBLE BEAM AND ENSURE THE GATE OPENING/CLOSING OPERATION IS NOT HINDERED.



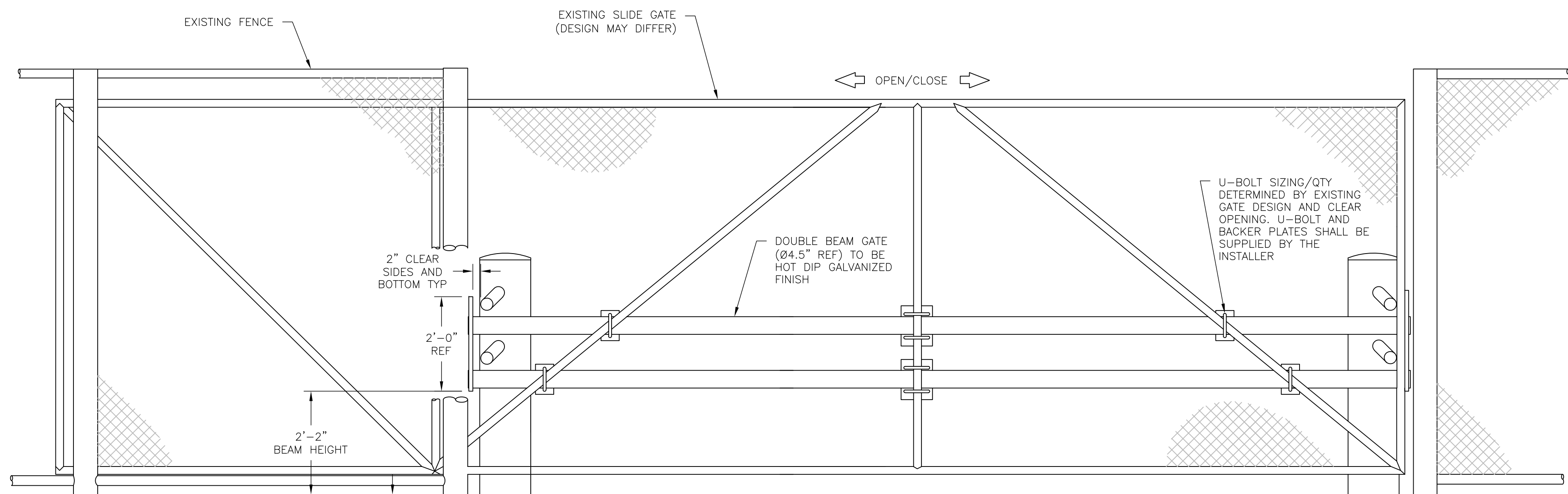
1 PLAN VIEW
 SCALE: NTS



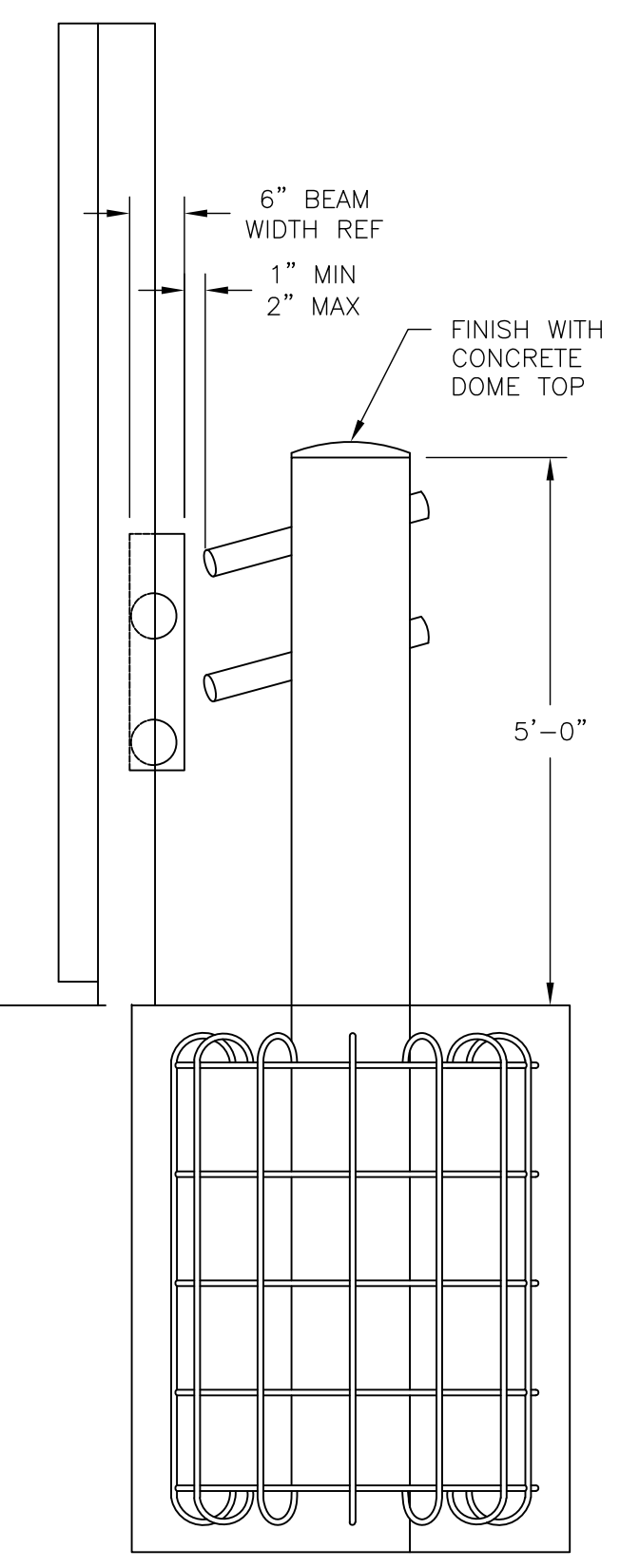
D-1 STIRRUP DETAIL
 SCALE: NTS



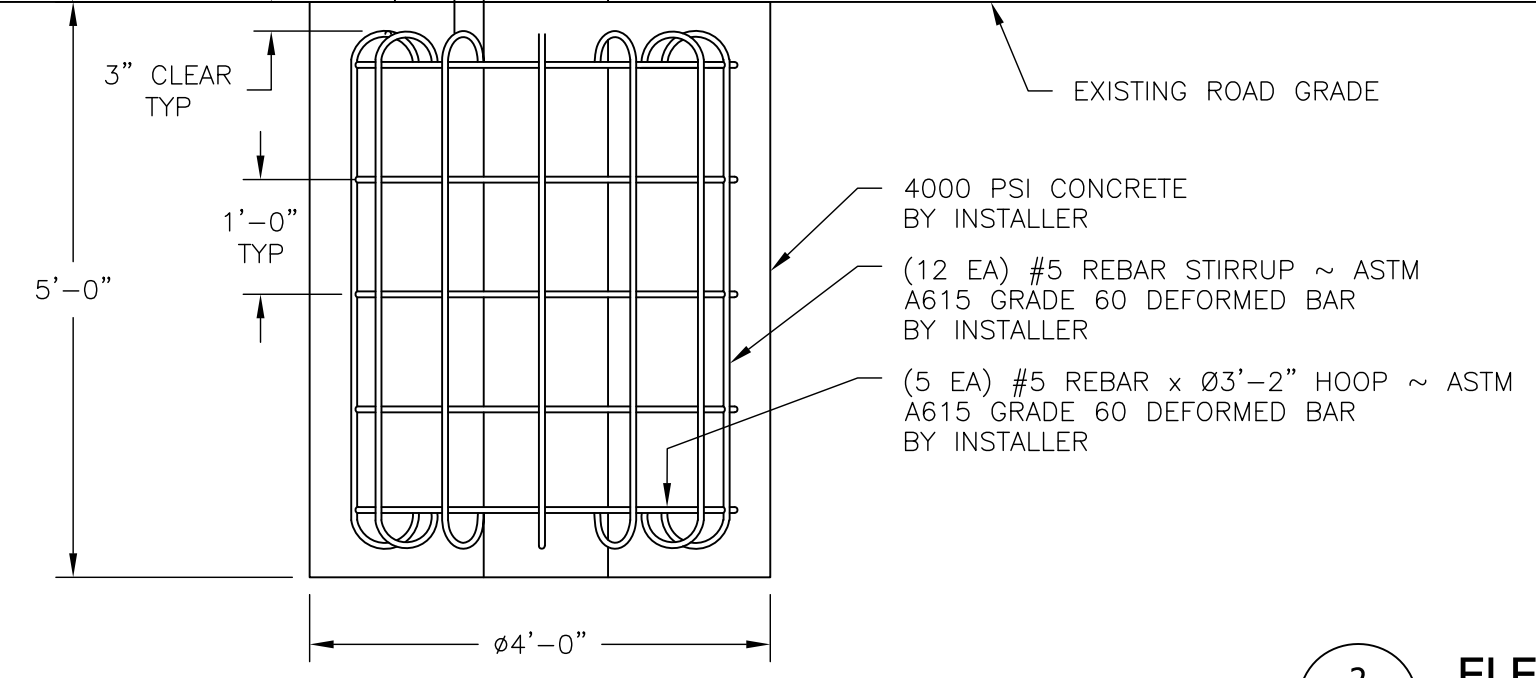
D-2 HOOP DETAIL
 SCALE: NTS



2 ELEVATION VIEW
 SCALE: NTS

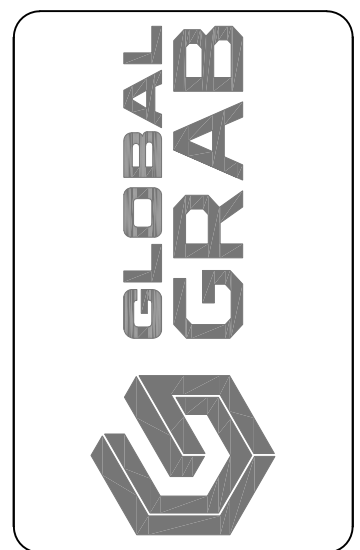


3 SIDE ELEVATION VIEW
 SCALE: NTS



4000 PSI CONCRETE
 BY INSTALLER
 (12 EA) #5 REBAR STIRRUP ~ ASTM
 A615 GRADE 60 DEFORMED BAR
 BY INSTALLER
 (5 EA) #5 REBAR x Ø3'-2" HOOP ~ ASTM
 A615 GRADE 60 DEFORMED BAR
 BY INSTALLER

REV	DATE	DESCRIPTION
A		ORIGINAL RELEASE



DRAWN BY: GGT	DATE:
CHECKED BY:	SCALE: AS NOTED
SIZE: ANSI D	REV: A
DRAWING NUMBER: DCB-001	

This is a confidential document and contains proprietary information. This document may not be reproduced in any form without the written permission of GLOBAL GRAB TECHNOLOGIES, INC.
 © COPYRIGHT 2019 GLOBAL GRAB TECHNOLOGIES, INC. ALL RIGHTS RESERVED.
 WARNING: THE EXPORT OR RE-EXPORT OF THIS DRAWING TO U.S. EXPORT ADMINISTRATION REGULATIONS OR INTERNATIONAL TRADE REGULATIONS IS PROHIBITED.

DOUBLE CRASH BEAM
 SINGLE LEAF SLIDE GATE
 INSTALLATION DETAILS

FOR REFERENCE ONLY
 DO NOT BUILD



SHEET ID
 DCB-001
 SHEET:-